

**Construction Package for Cold Formed Steel Building
Created for Bustamente DLNR Olinda
Job Number UHAW 92492822**



Table Of Contents

Building Layout Plan	3
Concrete Anchor Details	4
Portal Frame Sections	6
Roof Framing Plan	13
Girt Layout	16
Sheeting Layout	24

PRELIMINARY ONLY
NOT FOR CONSTRUCTION

Construction Package Notes

This construction package is to be used in conjunction with the created order for the job. All lengths and piece marks of materials in this package will correspond to an item in the order. For example, on the Sidewall A girt layout, there will likely be an item with a piece mark of SGA1. This will correspond to a line item in the order with the piece mark of SGA1. Products that do not include a piece mark will be marked with the product code.

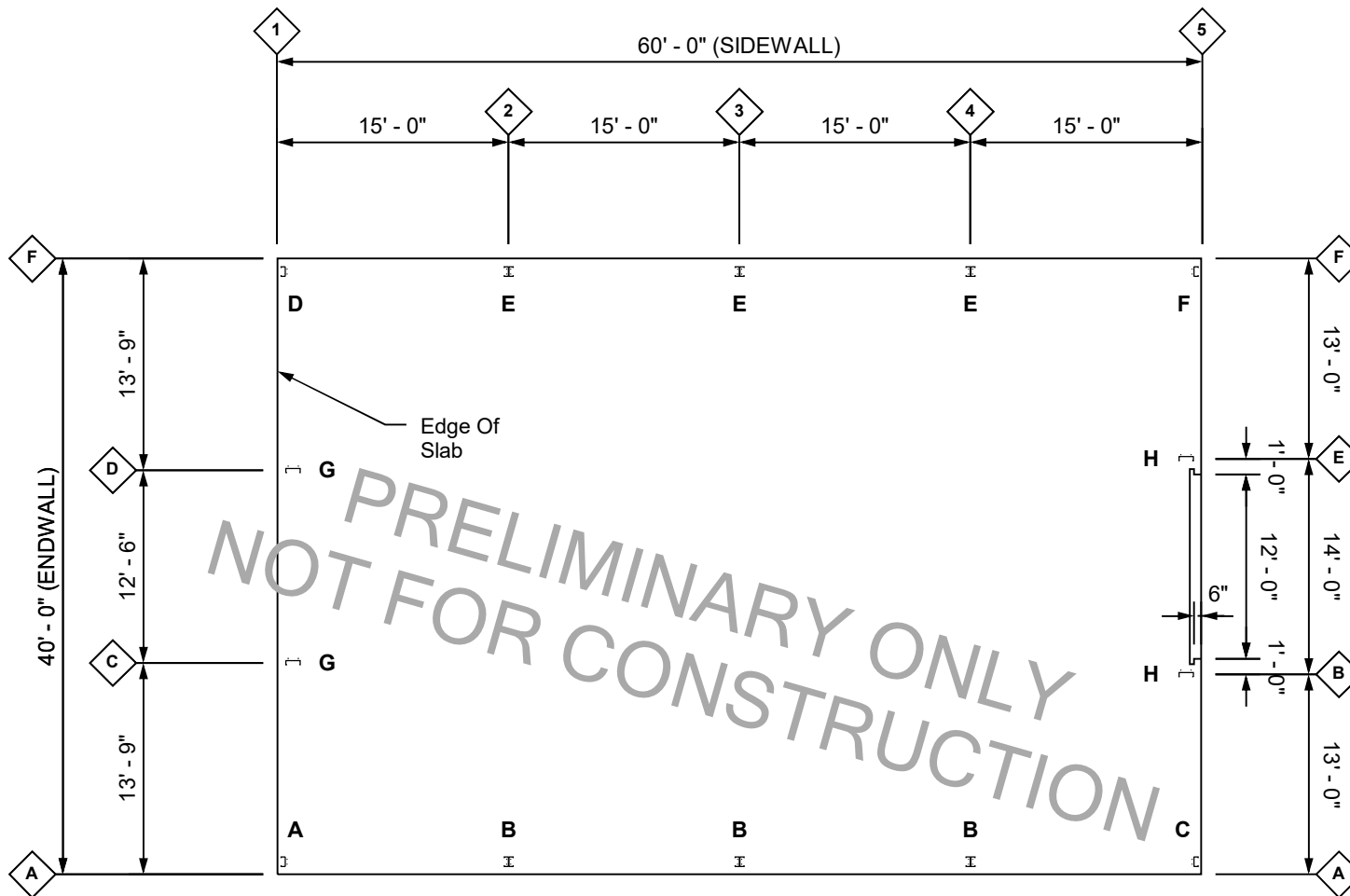
All girt layout and sheeting layouts drawings in this construction package are exterior views, and in these illustrations, components are drawn as if viewed from the outside of the building.

All drawings in this construction package are for reference only, and are to be used to supplement the engineering drawings. If any discrepancies occur, the engineering plans will always take precedence.

Construction Notifications

The following items will require non-typical installation that will take extra time and care during the construction process. Please take precautions.

- Some items in order will need to be cut to length on site. Please see 'Notes' column in order for full list of items to be cut and their lengths.



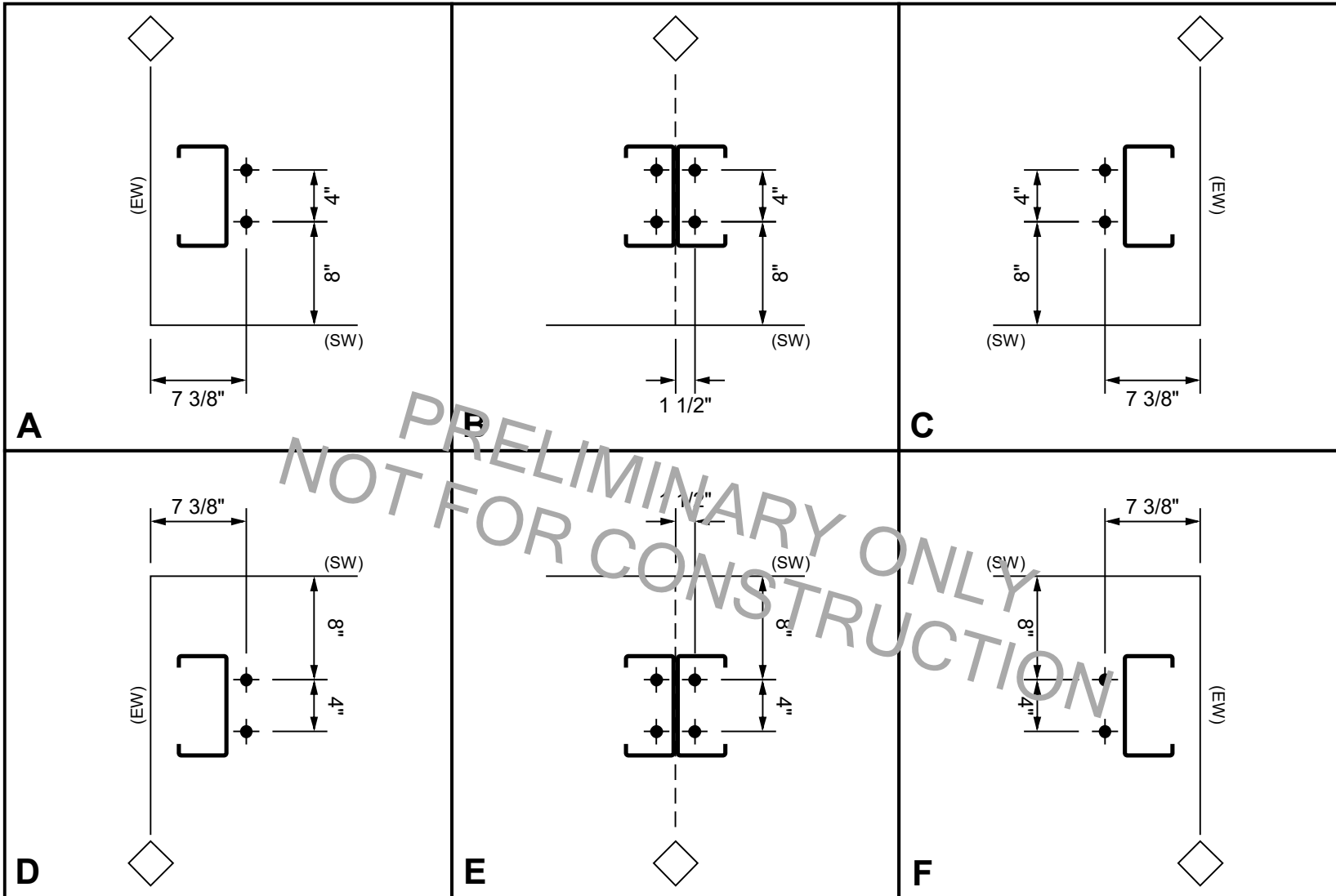
ANCHOR BOLTS		
QTY	LOCATION	DIA
32	SIDEWALL COLUMNS	1/2"
8	ENDWALL COLUMNS	1/2"
24	MEZZANINE POST	1/2"
30	DOOR JAMB	1/2"
21	GIRT FLANGE BRACING	1/2"

This illustration is for reference only, and is to be used to supplement the engineering drawings. If any discrepancies occur, the engineering plans will always take precedence.



Building Layout Plan



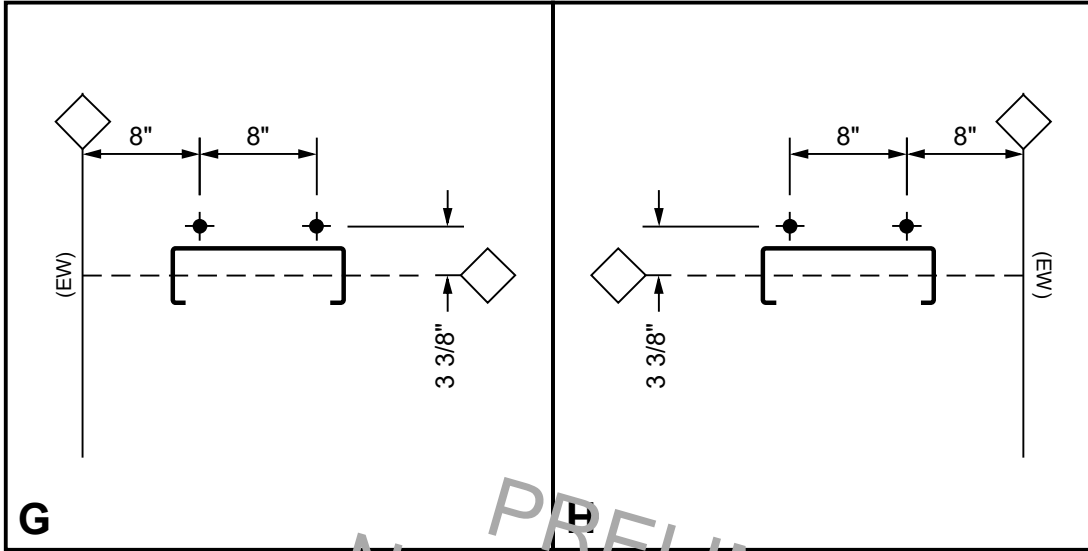


This illustration is for reference only, and is to be used to supplement the engineering drawings. If any discrepancies occur, the engineering plans will always take precedence.



Concrete Anchor Details





PRELIMINARY ONLY
NOT FOR CONSTRUCTION

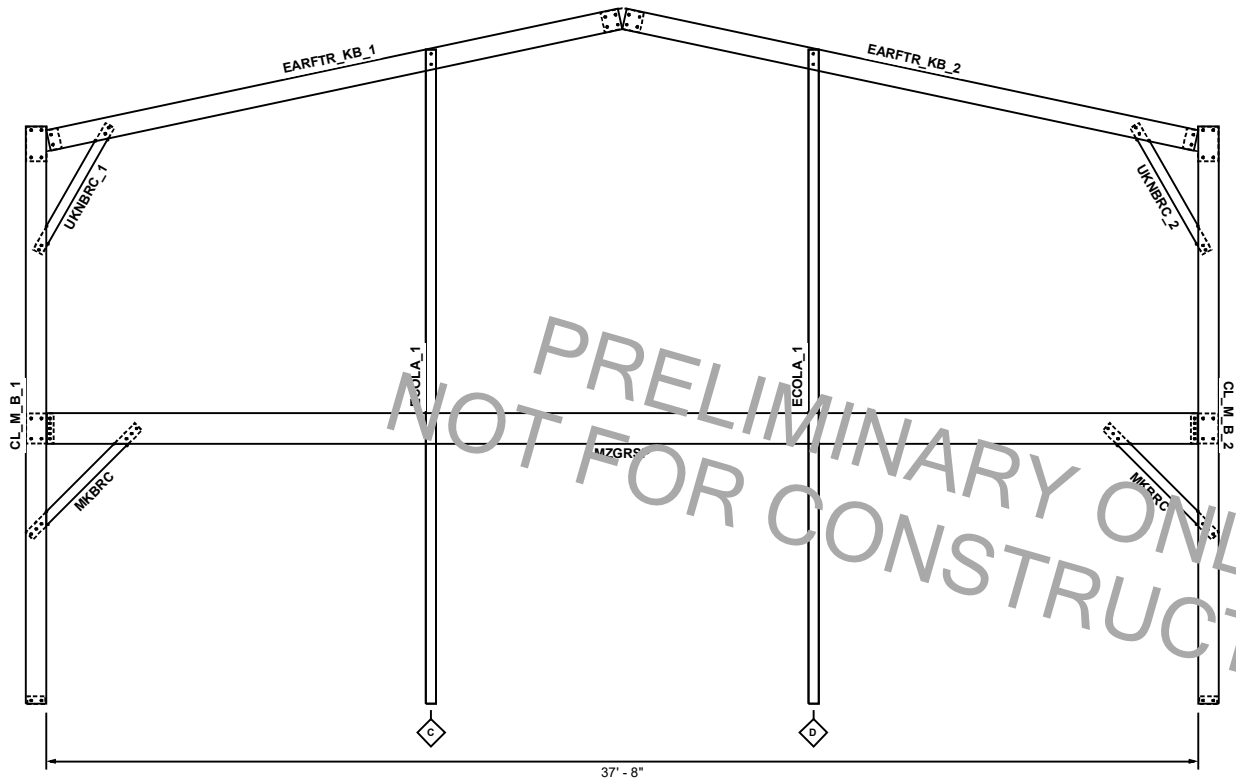


This illustration is for reference only, and is to be used to supplement the engineering drawings. If any discrepancies occur, the engineering plans will always take precedence.

Concrete Anchor Details



Member Table		
Mark	Product	Length
CL_M_B_1	8" x 12ga. CEE	18' - 10 3/8"
CL_M_B_2	8" x 12ga. CEE	18' - 10 3/8"
EARFTR_KB_1	8" x 12ga. CEE	19' - 1 3/8"
EARFTR_KB_2	8" x 12ga. CEE	19' - 1 3/8"
ECOLA_1	12" x 12ga. CEE	21' - 4 1/2"
MKBRC	4" x 16ga. CEE	5' - 0 1/2"
MZGRSP	12" x 12ga. CEE	37' - 7 3/4"
UKNBRC_1	4" x 16ga. CEE	4' - 9 3/16"
UKNBRC_2	4" x 16ga. CEE	4' - 9 3/16"



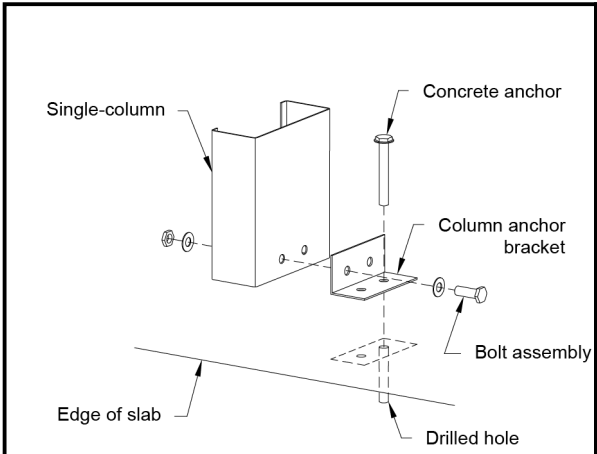
PRELIMINARY ONLY
NOT FOR CONSTRUCTION

This illustration is for reference only, and is to be used to supplement the engineering drawings. If any discrepancies occur, the engineering plans will always take precedence.



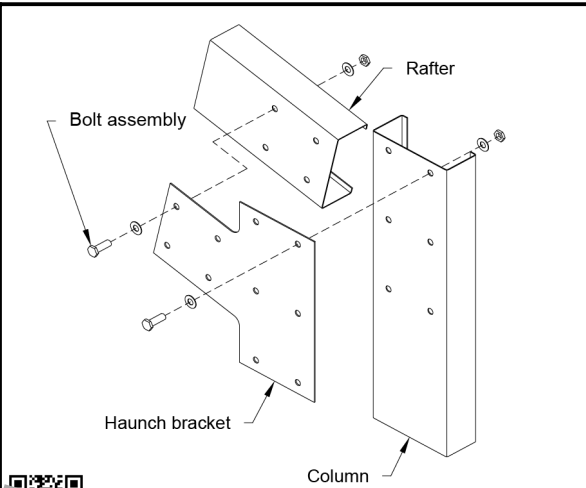
Portal Section, Frame Line 1





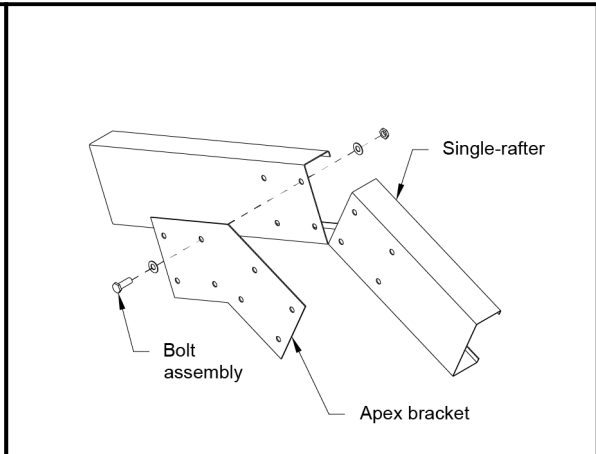
Single Base Bracket

<https://r.actbs.com/g/abs525>



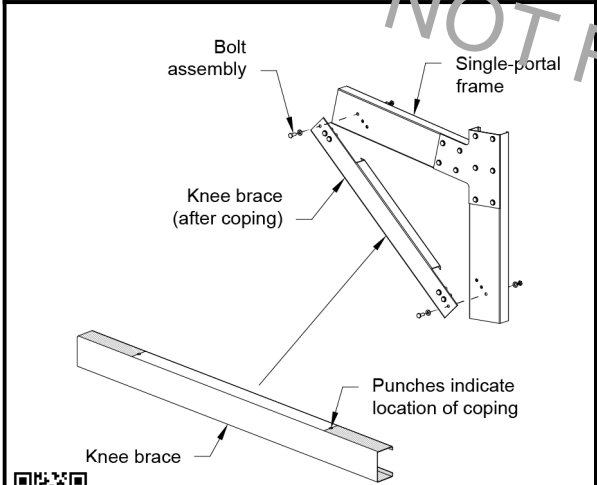
Single Haunch Bracket

<https://r.actbs.com/g/abs265>



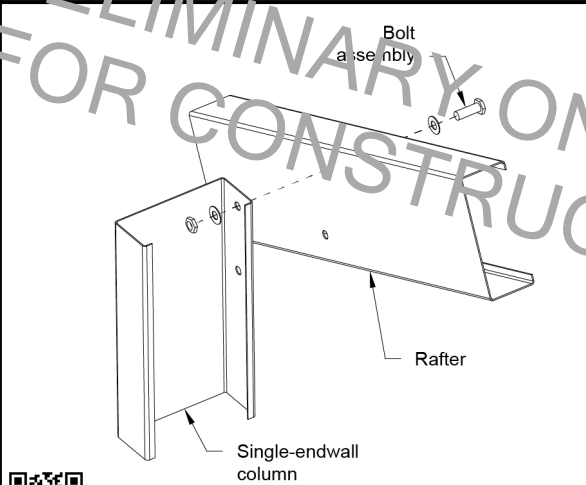
Single Apex Bracket

<https://r.actbs.com/g/abs021>



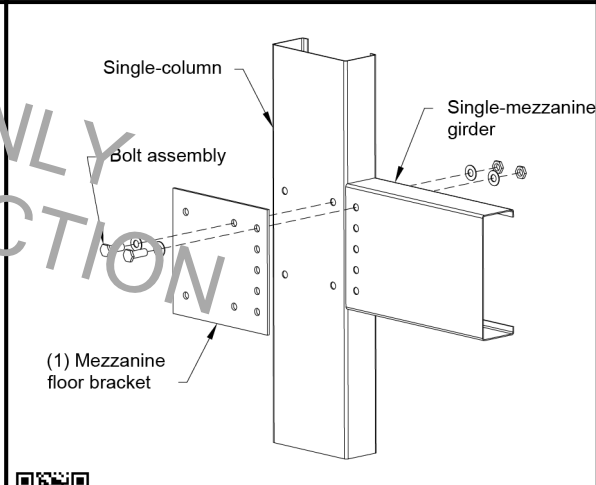
Single Knee Brace

<https://r.actbs.com/g/abs289>



Endwall Column to Rafter

<https://r.actbs.com/g/abs185>



Mezzanine Girder Bracket Single

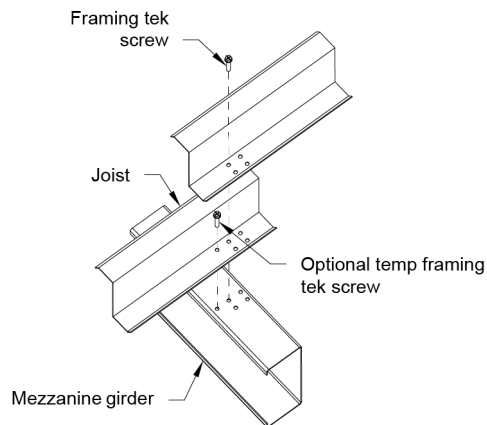
<https://r.actbs.com/g/abs349>



Portal Details

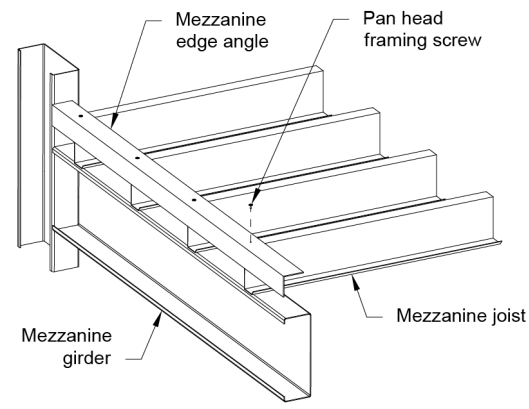


This illustration is for reference only, and is to be used to supplement the engineering drawings. If any discrepancies occur, the engineering plans will always take precedence.



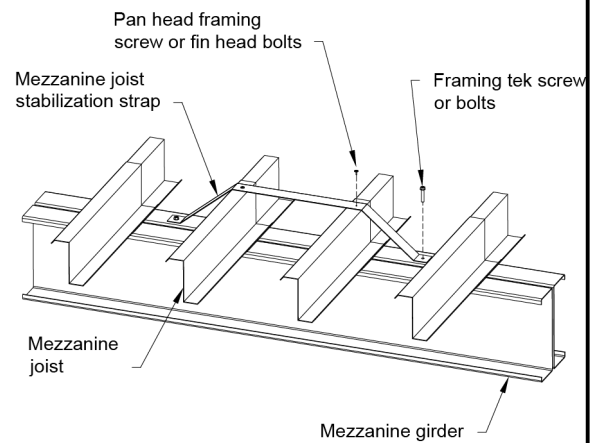
Mezzanine Joist Single

<https://r.actbs.com/g/abs341>



Joist Edge Angle

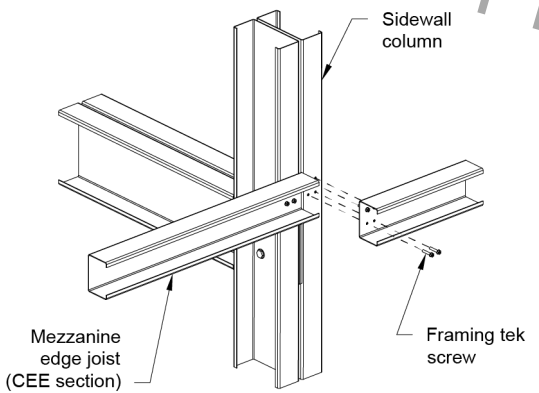
<https://r.actbs.com/g/abs357>



Joist Stabilization Strap

<https://r.actbs.com/g/abs377>

PRELIMINARY ONLY
NOT FOR CONSTRUCTION



Edge Joist

<https://r.actbs.com/g/abs365>

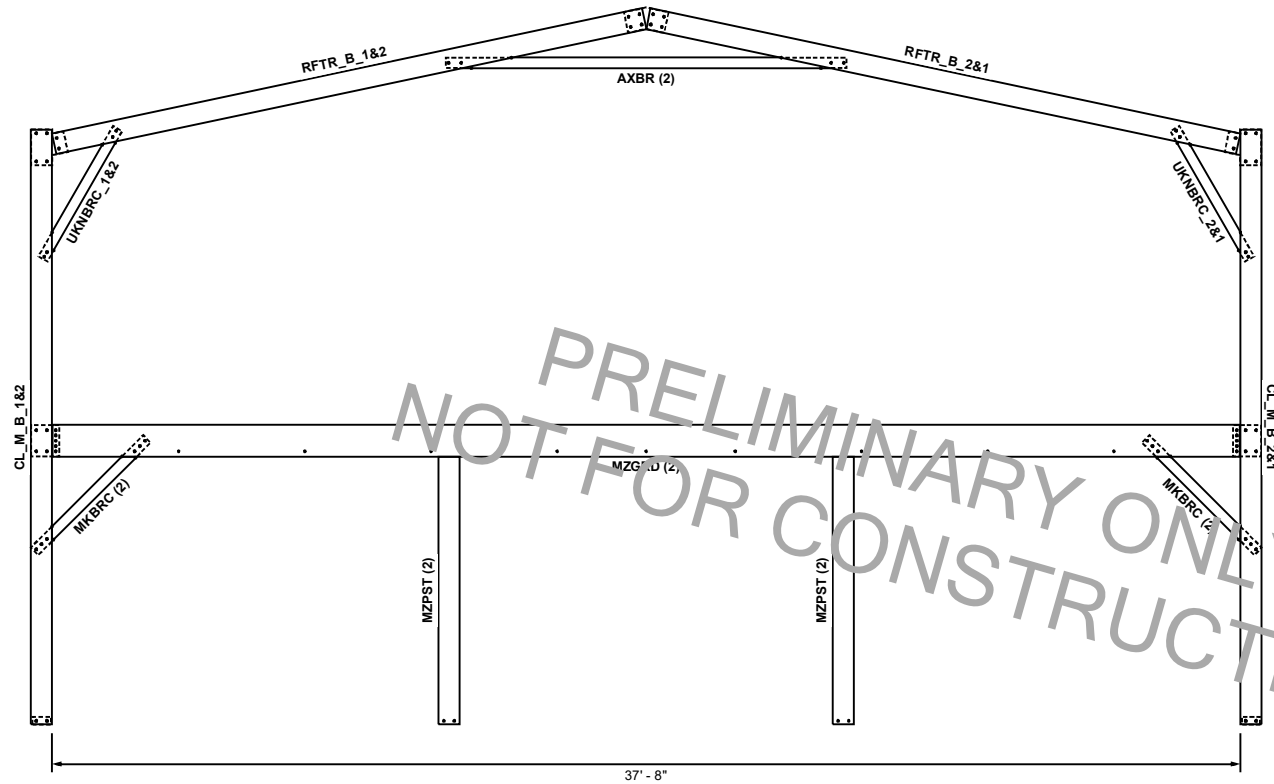


Portal Details



This illustration is for reference only, and is to be used to supplement the engineering drawings. If any discrepancies occur, the engineering plans will always take precedence.

Member Table		
Mark	Product	Length
AXBR	4" x 16ga. CEE	12' - 8 3/8"
CL_M_B_1	8" x 12ga. CEE	18' - 10 3/8"
CL_M_B_2	8" x 12ga. CEE	18' - 10 3/8"
MKBRC	4" x 16ga. CEE	5' - 0 1/2"
MZGRD	12" x 12ga. CEE	37' - 7 3/4"
MZPST	8" x 16ga. CEE	8' - 6"
RFTR_B_1	8" x 12ga. CEE	19' - 1 3/8"
RFTR_B_2	8" x 12ga. CEE	19' - 1 3/8"
UKNBRC_1	4" x 16ga. CEE	4' - 9 3/16"
UKNBRC_2	4" x 16ga. CEE	4' - 9 3/16"

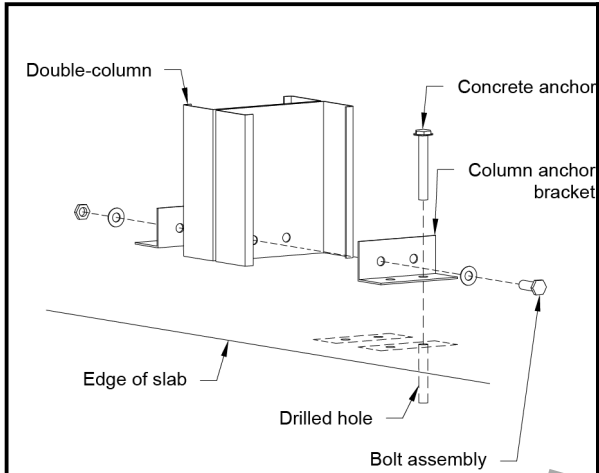


This illustration is for reference only, and is to be used to supplement the engineering drawings. If any discrepancies occur, the engineering plans will always take precedence.



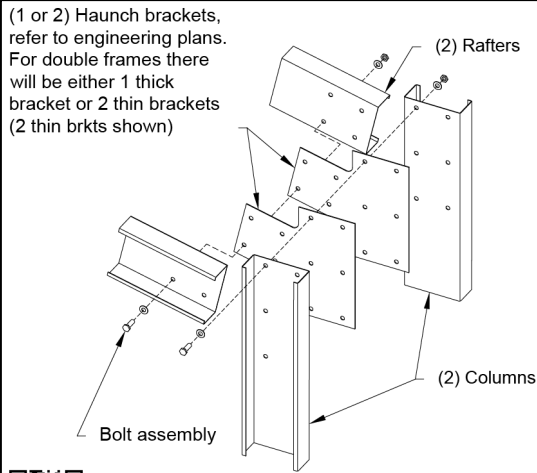
Portal Section, Frame Lines 2, 3, and 4





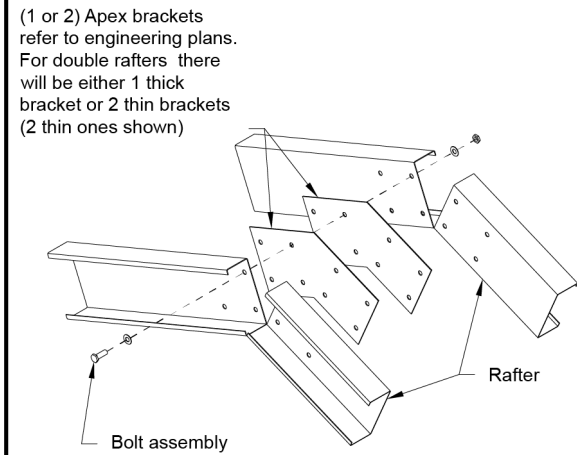
Double Base Bracket

<https://r.actbs.com/g/abs521>



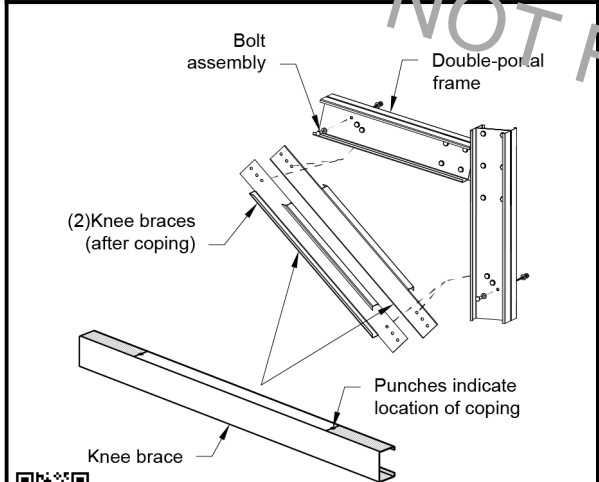
Double Haunch Bracket

<https://r.actbs.com/g/abs269>



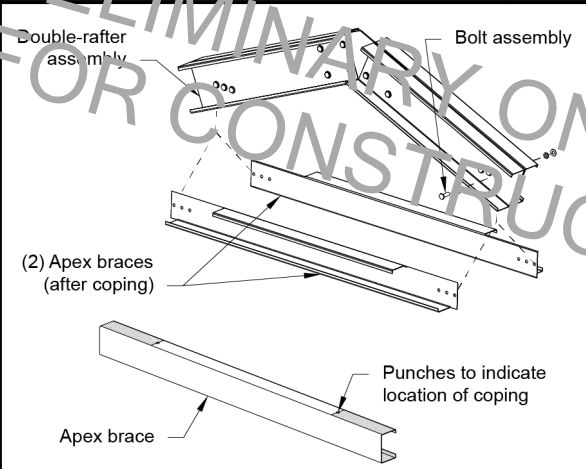
Double Apex Bracket

<https://r.actbs.com/g/abs017>



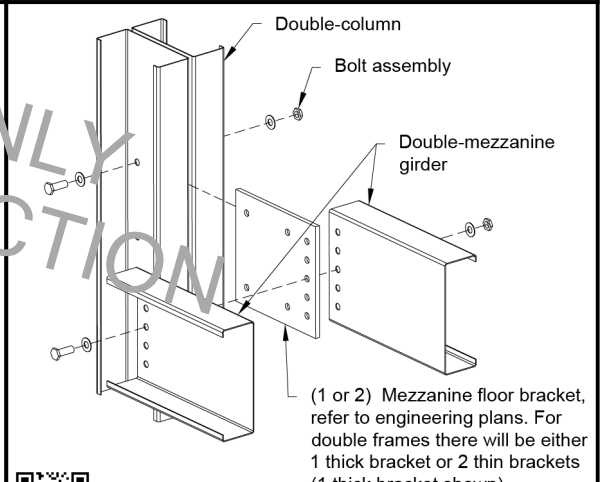
Double Knee Brace

<https://r.actbs.com/g/abs285>



Double Apex Brace

<https://r.actbs.com/g/abs001>



Mezzanine Girder Bracket Double

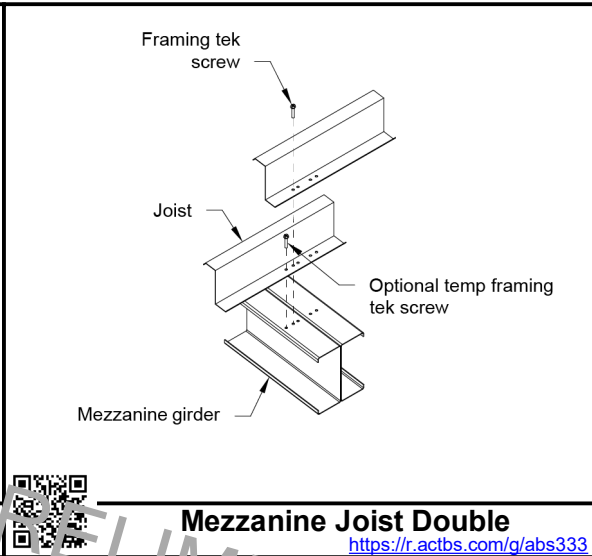
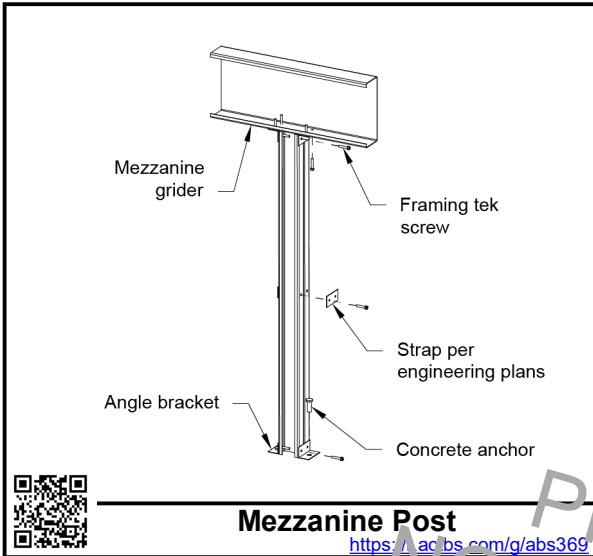
<https://r.actbs.com/g/abs345>



Portal Details



This illustration is for reference only, and is to be used to supplement the engineering drawings. If any discrepancies occur, the engineering plans will always take precedence.



PRELIMINARY ONLY
 NOT FOR CONSTRUCTION

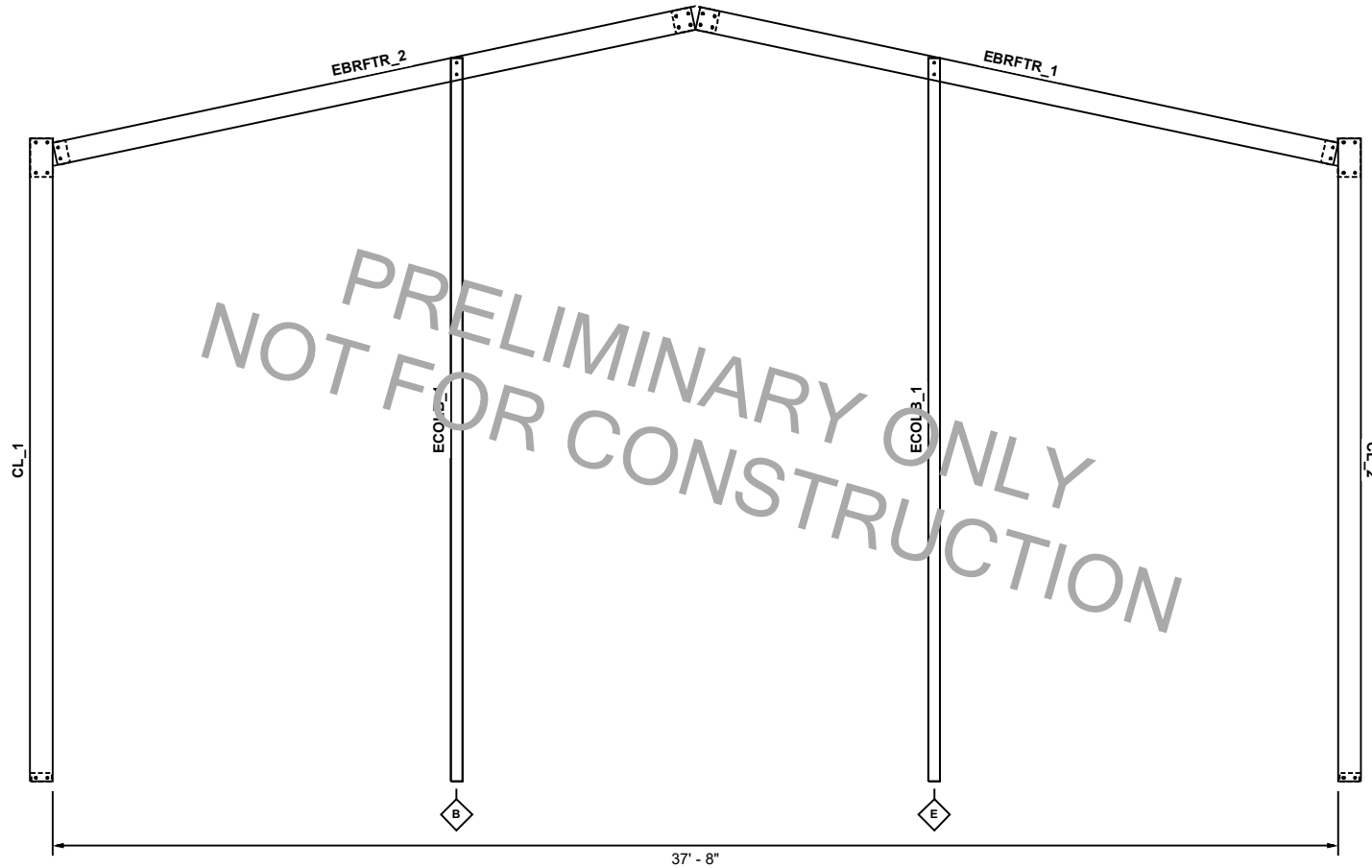


This illustration is for reference only, and is to be used to supplement the engineering drawings. If any discrepancies occur, the engineering plans will always take precedence.

Portal Details



Member Table		
Mark	Product	Length
CL_1	8" x 12ga. CEE	18' - 10 3/8"
CL_2	8" x 12ga. CEE	18' - 10 3/8"
EBRFTR_1	8" x 12ga. CEE	19' - 1 3/8"
EBRFTR_2	8" x 12ga. CEE	19' - 1 3/8"
ECOLB_1	12" x 12ga. CEE	21' - 2 9/16"



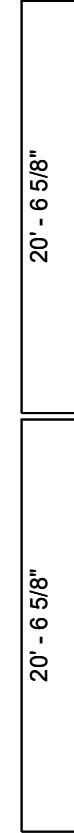
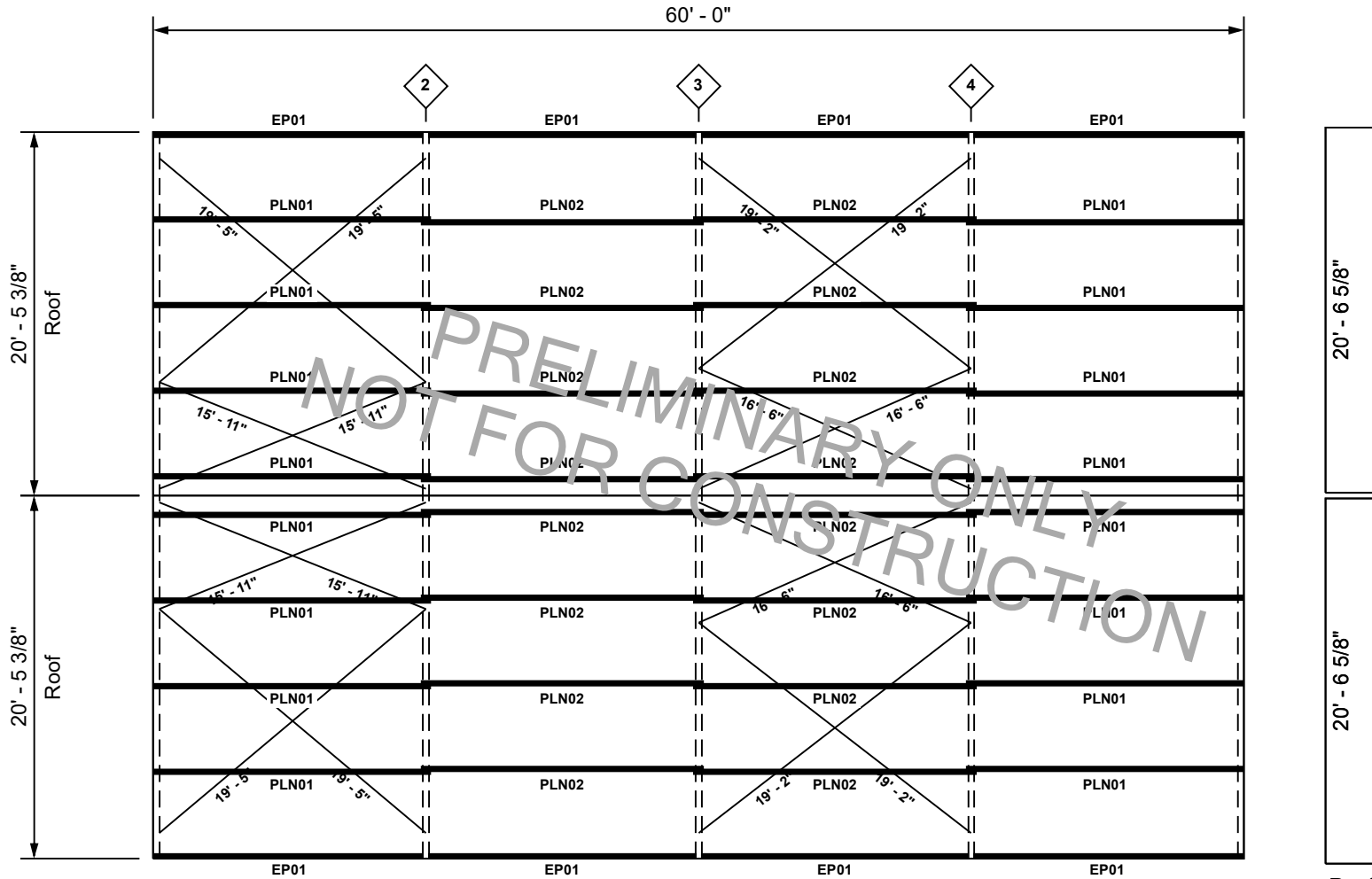
This illustration is for reference only, and is to be used to supplement the engineering drawings. If any discrepancies occur, the engineering plans will always take precedence.



Portal Section, Frame Line 5



Member Table		
Mark	Product	Length
EP01	6in x 3.5in 16G Eave Strut	15' - 0"
PLN01	6" x 14ga. LGS ZEE	15' - 3 1/2"
PLN02	6" x 14ga. LGS ZEE	15' - 7"



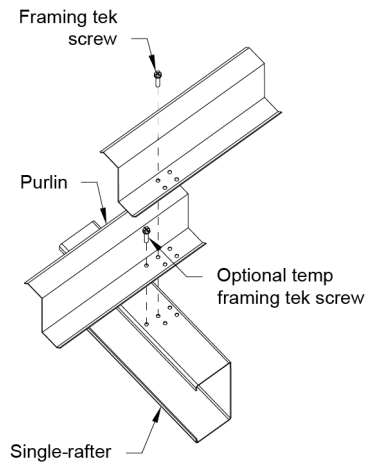
Roof Sheeting:
PBR-Panel 24G
Sandstone

This illustration is for reference only, and is to be used to supplement the engineering drawings. If any discrepancies occur, the engineering plans will always take precedence.



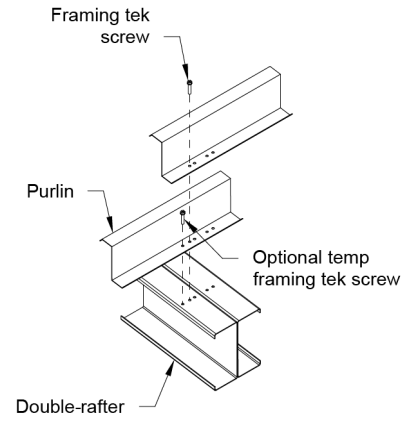
Roof Framing Plan





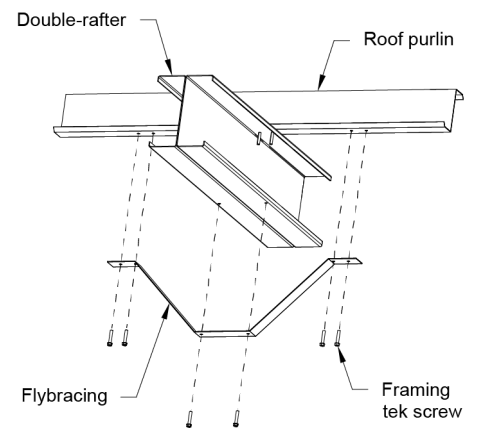
Purlin Rafter Single

<https://r.actbs.com/g/abs457>



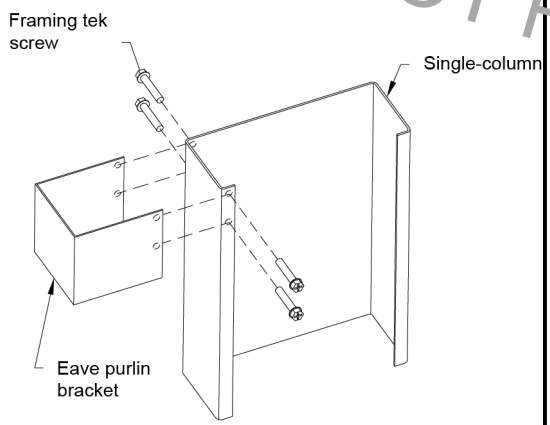
Purlin Rafter Double

<https://r.actbs.com/g/abs449>



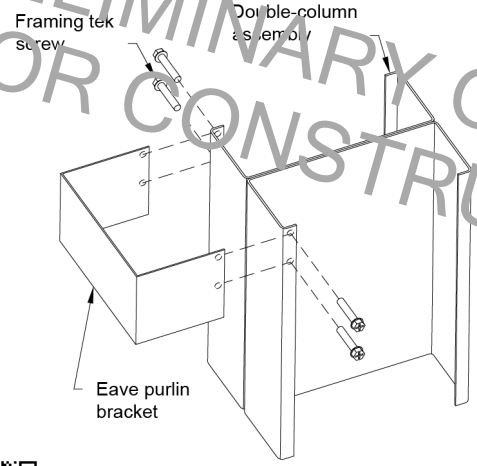
Flybrace Rafter Double

<https://r.actbs.com/g/abs206>



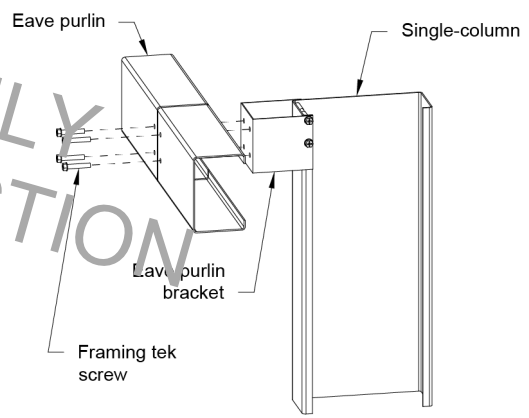
Single Eave Purlin Bracket

<https://r.actbs.com/g/abs089>



Double Eave Purlin Bracket

<https://r.actbs.com/g/abs081>



Eave Purlin Single

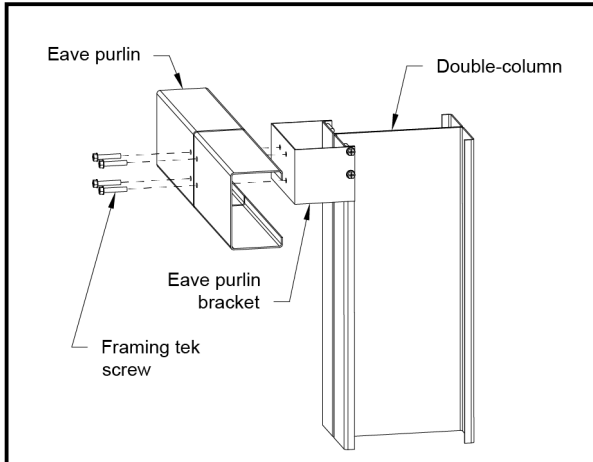
<https://r.actbs.com/g/abs113>

PRELIMINARY ONLY
 NOT FOR CONSTRUCTION



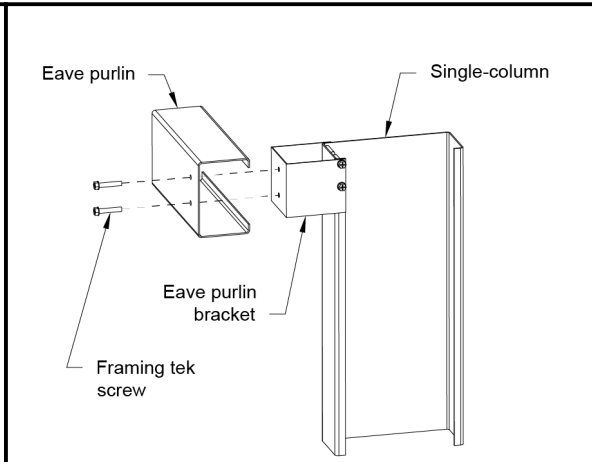
Roof Details





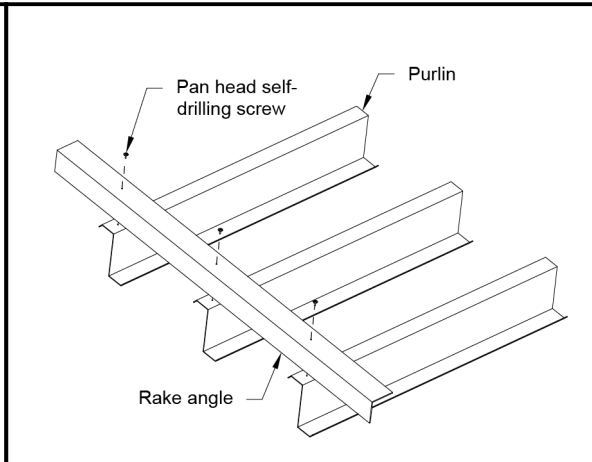
Eave Purlin Double

<https://r.actbs.com/g/abs097>



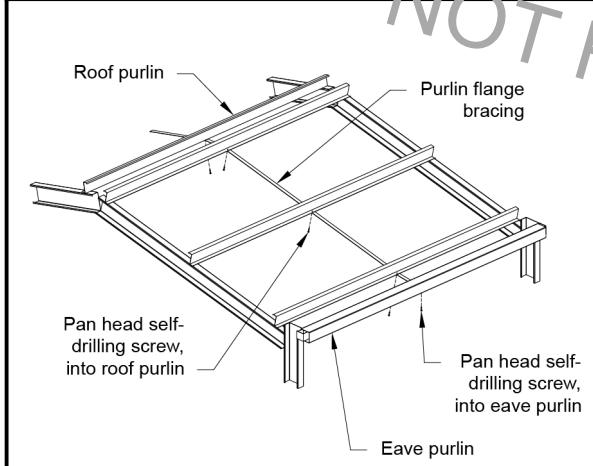
Eave Purlin End

<https://r.actbs.com/g/abs105>



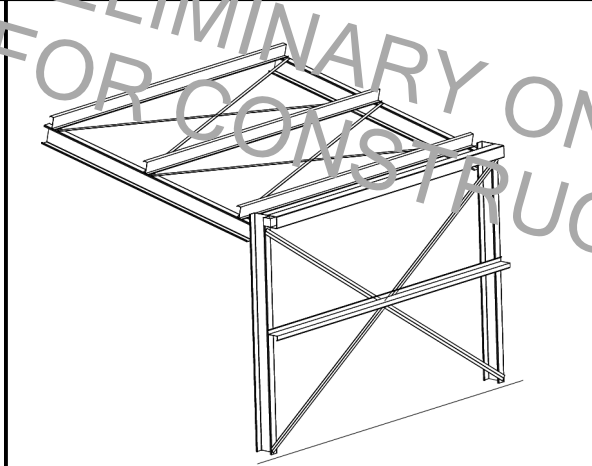
Rake Angle

<https://r.actbs.com/g/abs465>



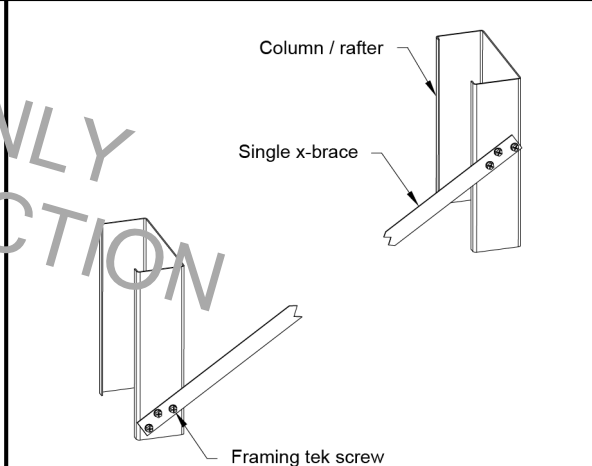
Purlin Flange Bracing

<https://r.actbs.com/g/abs441>



X-Bracing

<https://r.actbs.com/g/abs549>



X-Bracing

<https://r.actbs.com/g/abs545>

PRELIMINARY ONLY
NOT FOR CONSTRUCTION

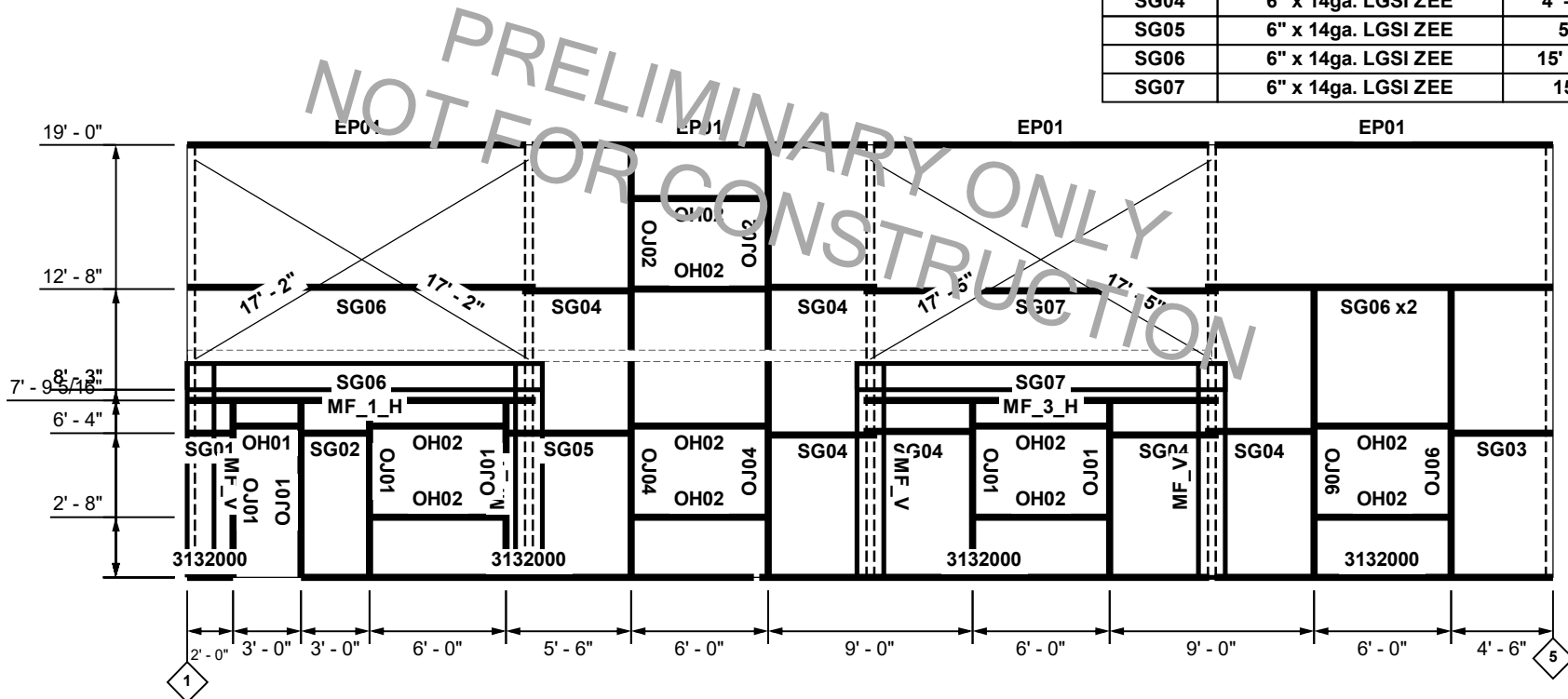


Roof Details



This illustration is for reference only, and is to be used to supplement the engineering drawings. If any discrepancies occur, the engineering plans will always take precedence.

Member Table		
Mark	Product	Length
3132000	Formed Base Angle 18G	Stock Length
EP01	6in x 3.5in 16G Eave Strut	15' - 0"
MF_1_H	14" x 12ga. CEE	15' - 7"
MF_3_H	14" x 12ga. CEE	16' - 2"
MF_V	14" x 12ga. CEE	9' - 5"
OH01	6" x 16ga. CEE	3' - 0"
OH02	6" x 16ga. CEE	6' - 0"
OJ01	6in x 3in 16G Channel	7' - 9 5/16"
OJ02	6in x 3in 16G Channel	8' - 6"
OJ04	6in x 3in 16G Channel	9' - 6"
OJ06	6in x 3in 16G Channel	12' - 8"
SG01	6" x 14ga. LGSi ZEE	2' - 0"
SG02	6" x 14ga. LGSi ZEE	3' - 0"
SG03	6" x 14ga. LGSi ZEE	4' - 6"
SG04	6" x 14ga. LGSi ZEE	4' - 9 1/2"
SG05	6" x 14ga. LGSi ZEE	5' - 6"
SG06	6" x 14ga. LGSi ZEE	15' - 3 1/2"
SG07	6" x 14ga. LGSi ZEE	15' - 7"



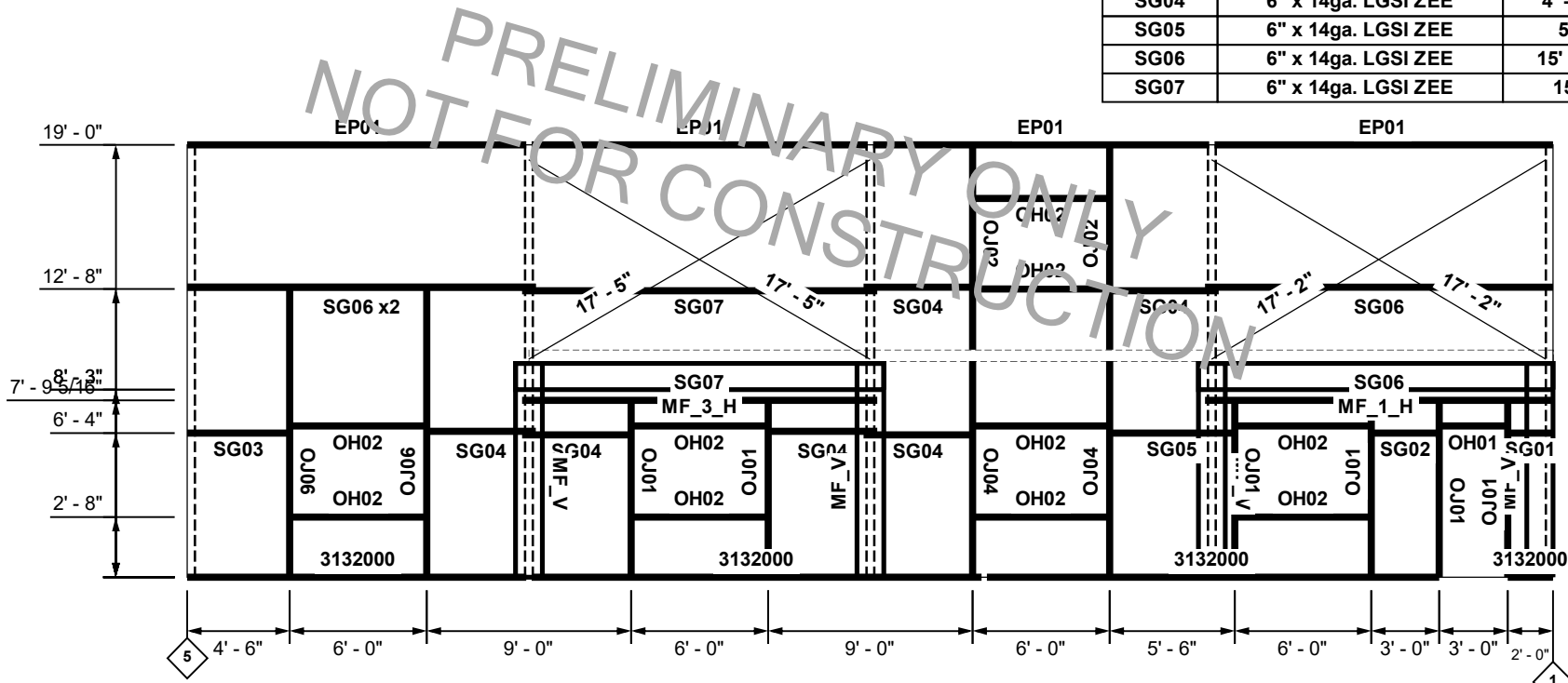
This illustration is for reference only, and is to be used to supplement the engineering drawings. If any discrepancies occur, the engineering plans will always take precedence.



Sidewall A Girt Layout, Frame Line A



Member Table		
Mark	Product	Length
3132000	Formed Base Angle 18G	Stock Length
EP01	6in x 3.5in 16G Eave Strut	15' - 0"
MF_1_H	14" x 12ga. CEE	15' - 7"
MF_3_H	14" x 12ga. CEE	16' - 2"
MF_V	14" x 12ga. CEE	9' - 5"
OH01	6" x 16ga. CEE	3' - 0"
OH02	6" x 16ga. CEE	6' - 0"
OJ01	6in x 3in 16G Channel	7' - 9 5/16"
OJ02	6in x 3in 16G Channel	8' - 6"
OJ04	6in x 3in 16G Channel	9' - 6"
OJ06	6in x 3in 16G Channel	12' - 8"
SG01	6" x 14ga. LGSZ ZEE	2' - 0"
SG02	6" x 14ga. LGSZ ZEE	3' - 0"
SG03	6" x 14ga. LGSZ ZEE	4' - 6"
SG04	6" x 14ga. LGSZ ZEE	4' - 9 1/2"
SG05	6" x 14ga. LGSZ ZEE	5' - 6"
SG06	6" x 14ga. LGSZ ZEE	15' - 3 1/2"
SG07	6" x 14ga. LGSZ ZEE	15' - 7"

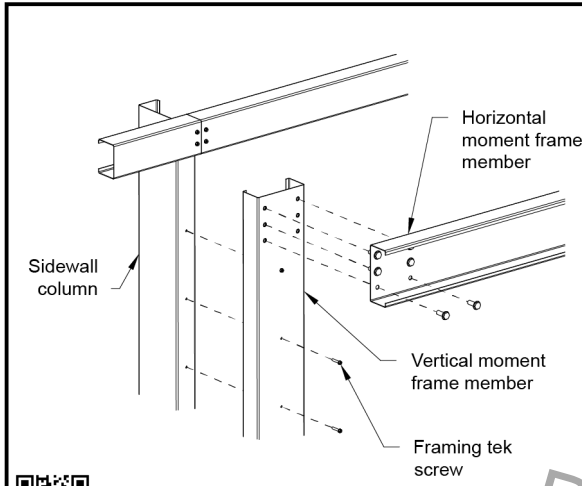


This illustration is for reference only, and is to be used to supplement the engineering drawings. If any discrepancies occur, the engineering plans will always take precedence.



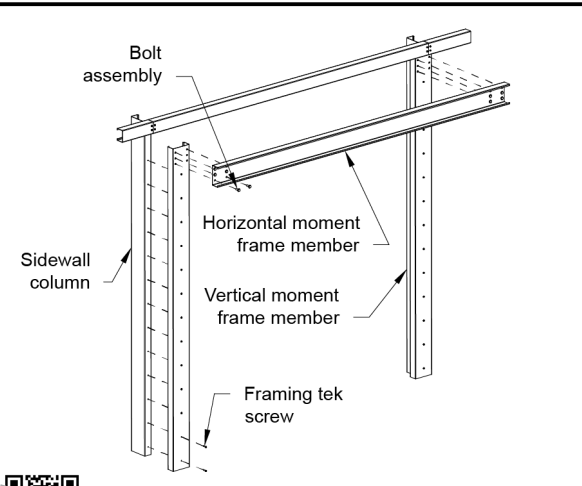
Sidewall B Girt Layout, Frame Line F





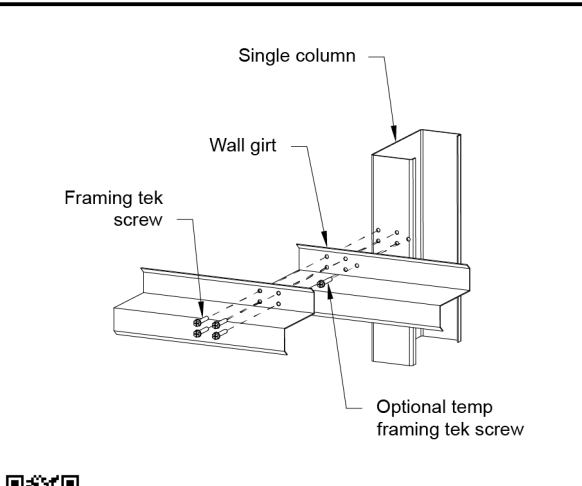
Moment Frame Vertical

<https://r.actbs.com/g/abs385>



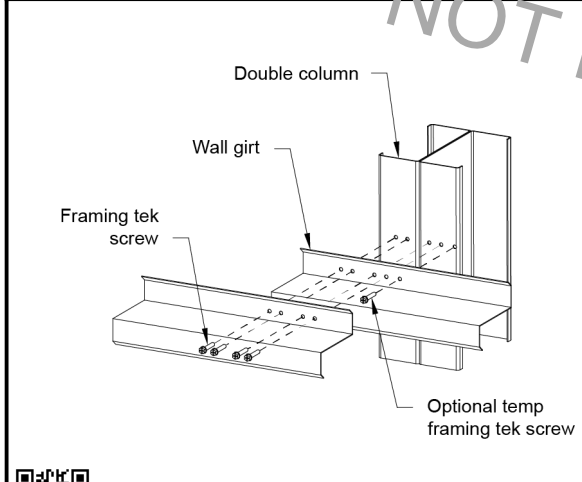
Moment Frame Horizontal

<https://r.actbs.com/g/abs397>



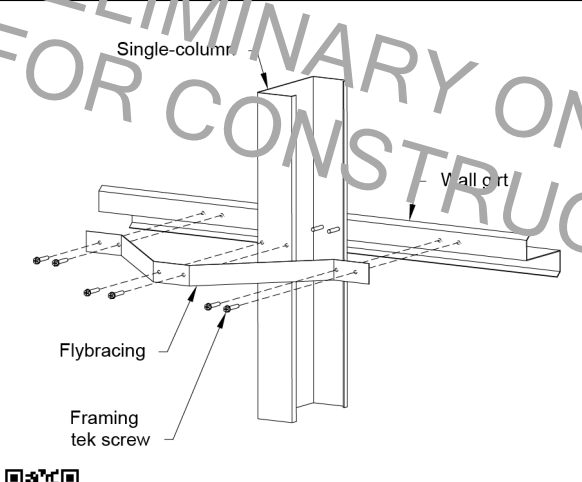
Girt Column Single

<https://r.actbs.com/g/abs225>



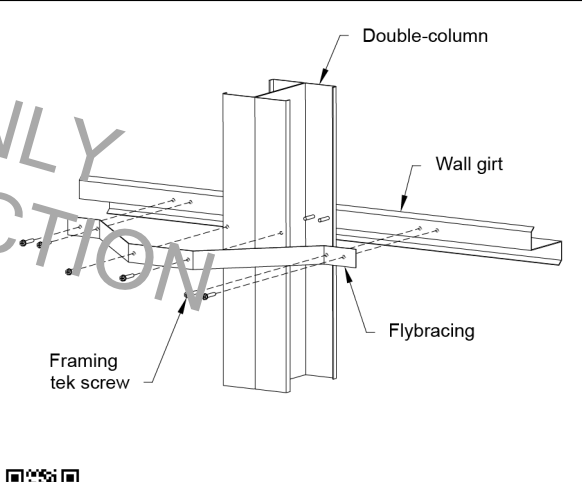
Girt Column Double

<https://r.actbs.com/g/abs217>



Flybrace Single

<https://r.actbs.com/g/abs205>



Flybrace Double

<https://r.actbs.com/g/abs197>

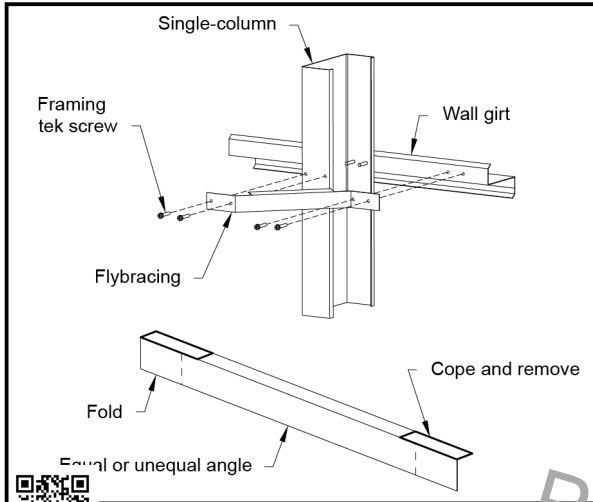
PRELIMINARY ONLY
NOT FOR CONSTRUCTION



Wall Details

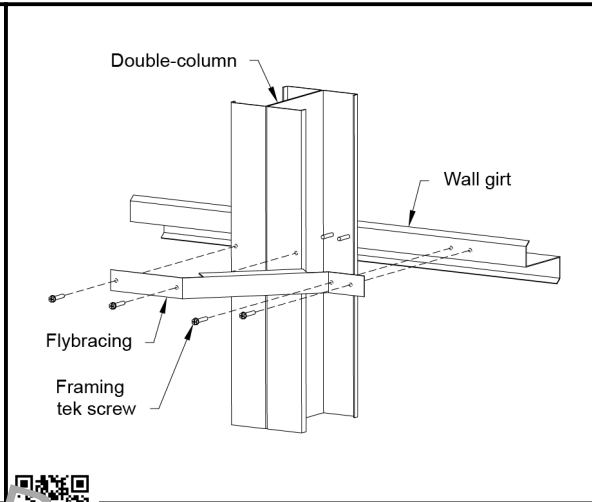
This illustration is for reference only, and is to be used to supplement the engineering drawings. If any discrepancies occur, the engineering plans will always take precedence.





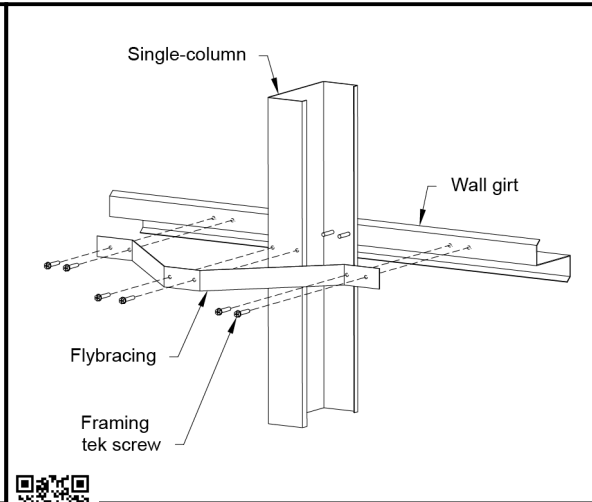
Flybrace Single

<https://r.actbs.com/g/abs201>



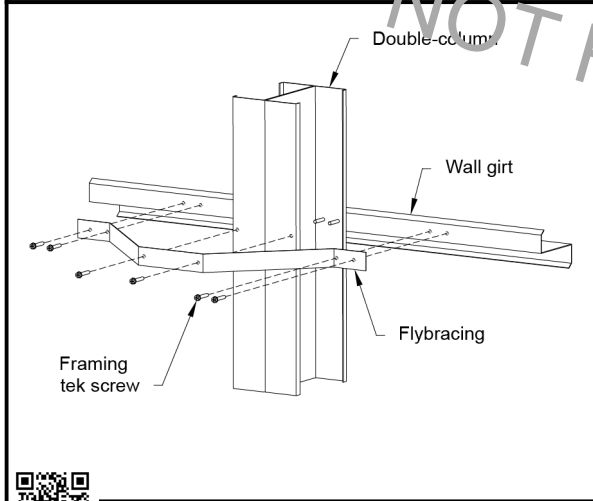
FlyBrace Double

<https://r.actbs.com/g/abs193>



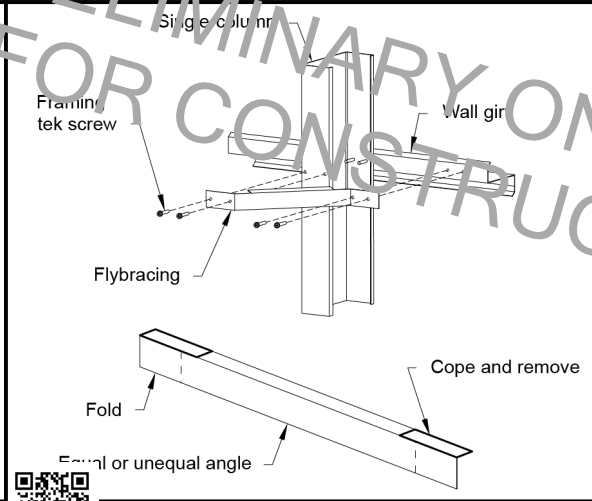
Flybrace Single

<https://r.actbs.com/g/abs205>



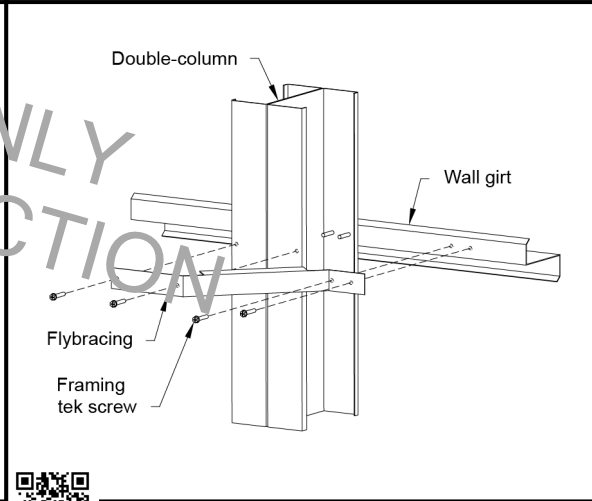
Flybrace Double

<https://r.actbs.com/g/abs197>



Flybrace Single

<https://r.actbs.com/g/abs201>



FlyBrace Double

<https://r.actbs.com/g/abs193>

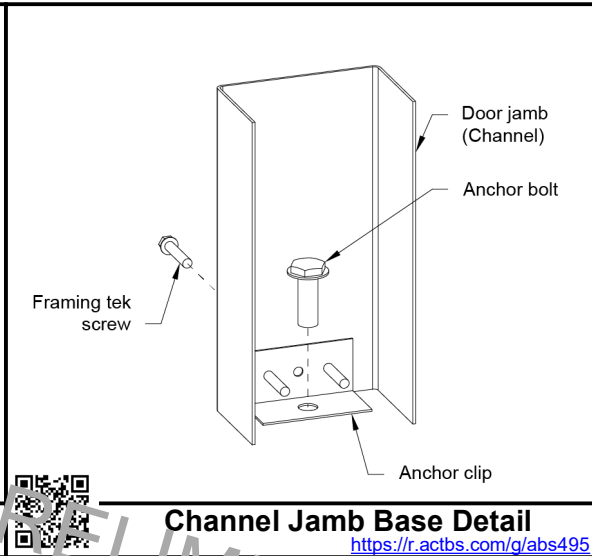
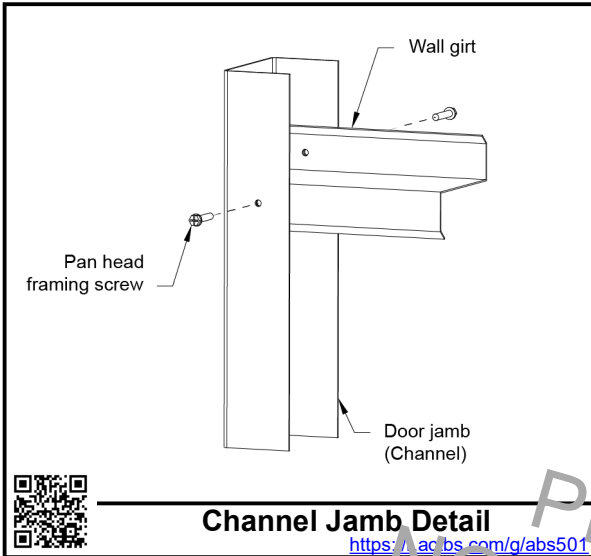
NOT FOR CONSTRUCTION



Wall Details



This illustration is for reference only, and is to be used to supplement the engineering drawings. If any discrepancies occur, the engineering plans will always take precedence.



PRELIMINARY ONLY
 NOT FOR CONSTRUCTION

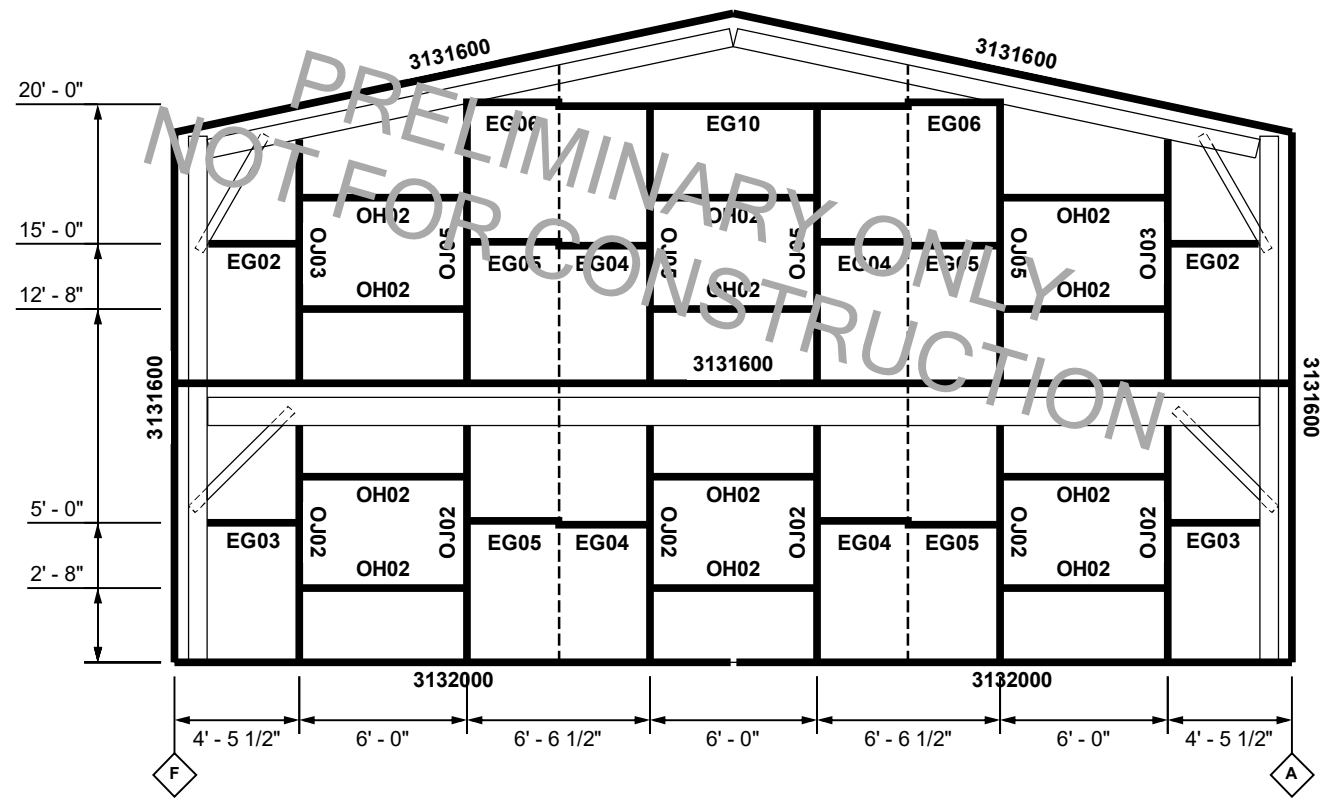


This illustration is for reference only, and is to be used to supplement the engineering drawings. If any discrepancies occur, the engineering plans will always take precedence.

Wall Details



Member Table		
Mark	Product	Length
3131600	2in x 4in Angle	Stock Length
3132000	Formed Base Angle 18G	Stock Length
EG02	6" x 16ga. LGSi ZEE	3' - 3 1/16"
EG03	6" x 16ga. LGSi ZEE	3' - 3 1/2"
EG04	6" x 16ga. LGSi ZEE	3' - 4 1/2"
EG05	6" x 16ga. LGSi ZEE	3' - 5"
EG06	6" x 16ga. LGSi ZEE	3' - 6 11/16"
EG10	6" x 16ga. LGSi ZEE	12' - 9"
OH02	6" x 16ga. CEE	6' - 0"
OJ02	6in x 3in 16G Channel	8' - 6"
OJ03	6in x 3in 16G Channel	8' - 9 1/16"
OJ05	6in x 3in 16G Channel	10' - 0"



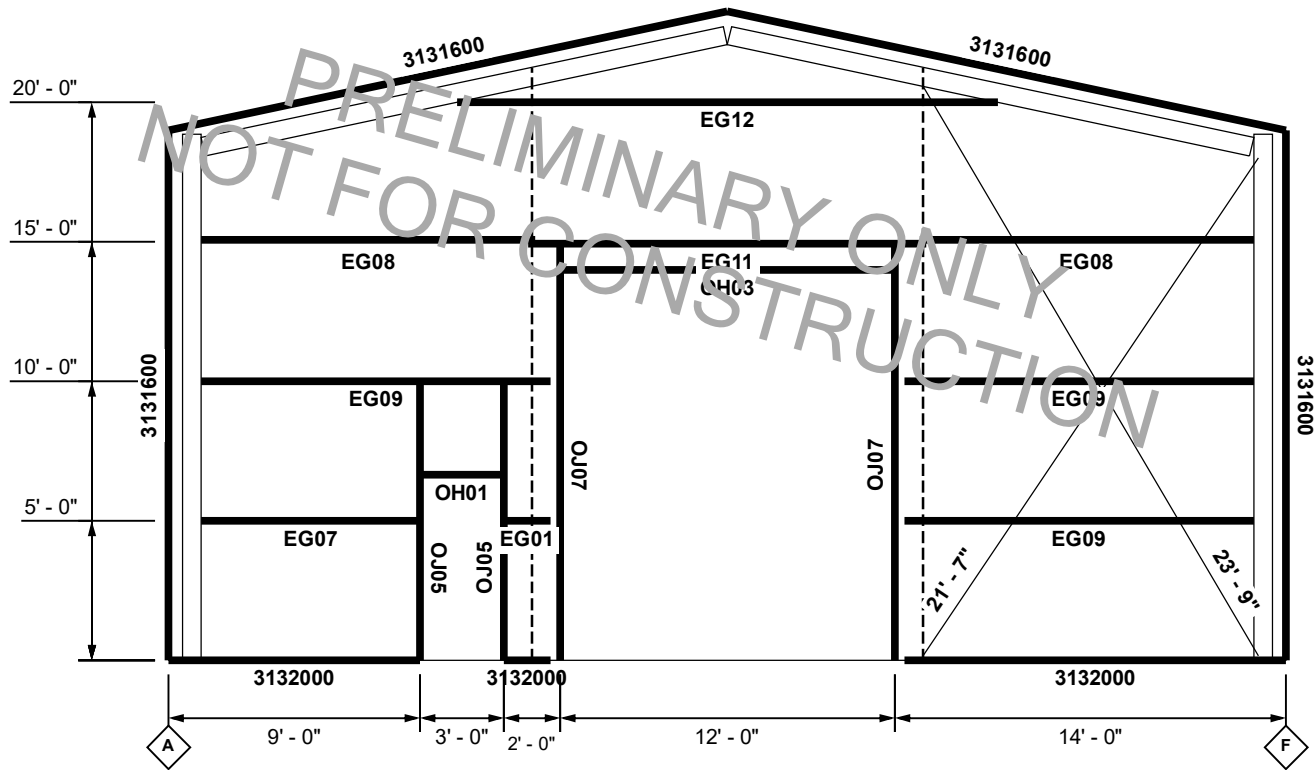
This illustration is for reference only, and is to be used to supplement the engineering drawings. If any discrepancies occur, the engineering plans will always take precedence.



Endwall A Girt Layout, Frame Line 1



Member Table		
Mark	Product	Length
3131600	2in x 4in Angle	Stock Length
3132000	Formed Base Angle 18G	Stock Length
EG01	6" x 16ga. LGSi ZEE	1' - 8"
EG07	6" x 16ga. LGSi ZEE	7' - 10"
EG08	6" x 16ga. LGSi ZEE	11' - 11 1/2"
EG09	6" x 16ga. LGSi ZEE	12' - 6"
EG11	6" x 16ga. LGSi ZEE	14' - 3"
EG12	6" x 16ga. LGSi ZEE	19' - 4 3/8"
OH01	6" x 16ga. CEE	3' - 0"
OH03	6" x 16ga. CEE	12' - 0"
OJ05	6in x 3in 16G Channel	10' - 0"
OJ07	6" x 16ga. CEE	15' - 0"

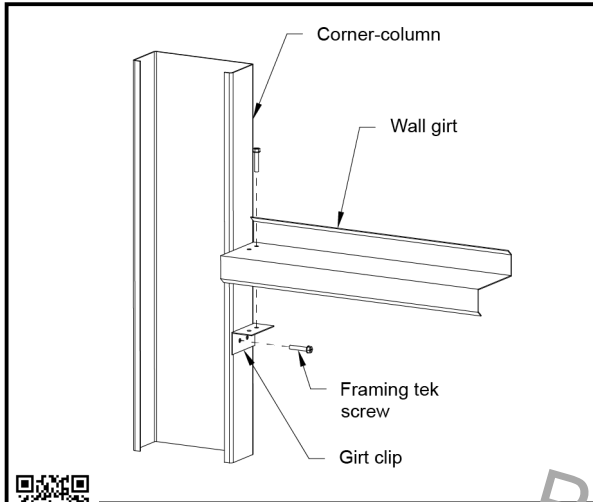


This illustration is for reference only, and is to be used to supplement the engineering drawings. If any discrepancies occur, the engineering plans will always take precedence.



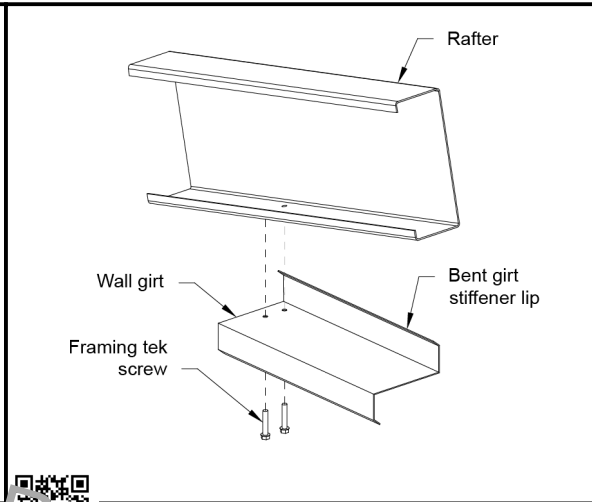
Endwall B Girt Layout, Frame Line 5





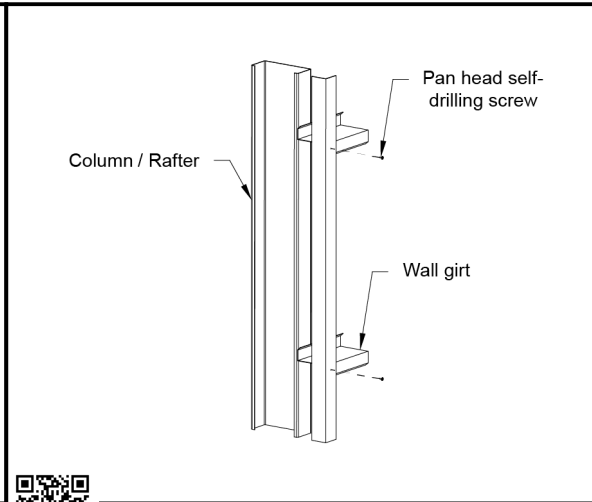
Endwall Girt To Column

<https://r.actbs.com/g/abs241>



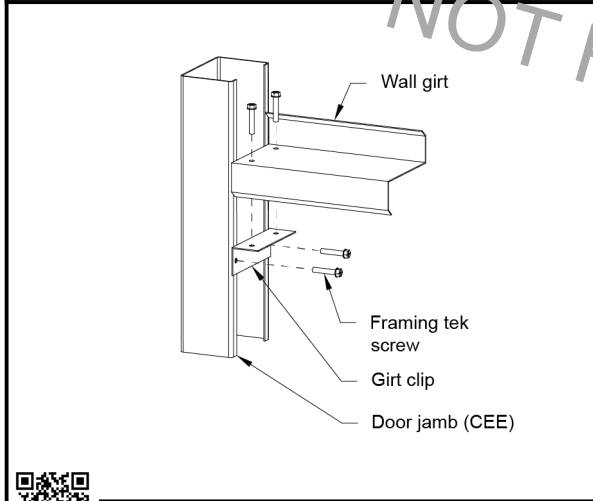
Endwall Girt To Rafter

<https://r.actbs.com/g/abs233>



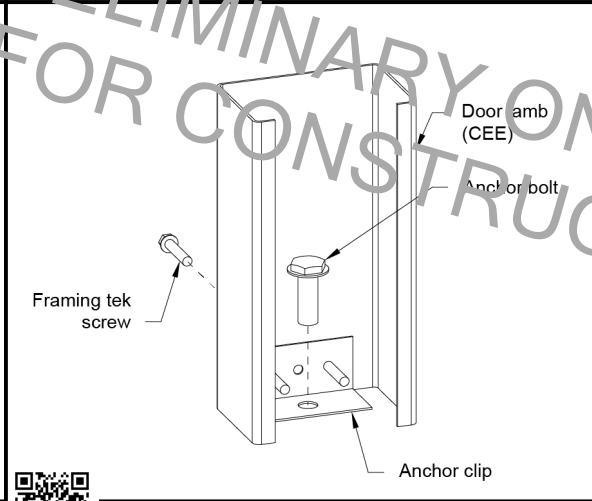
Corner Angle

<https://r.actbs.com/g/abs061>



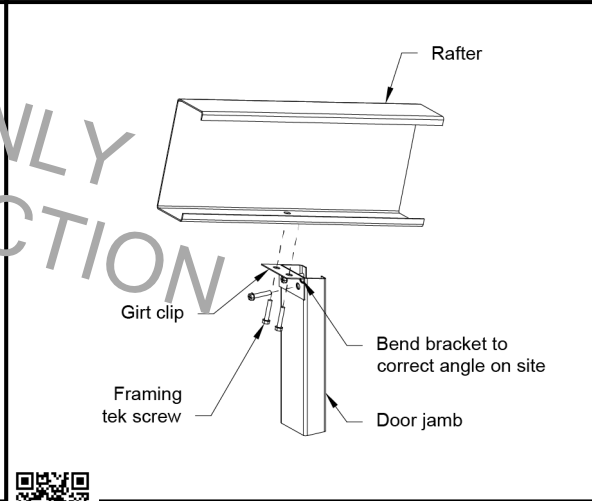
CEE Jamb Detail

<https://r.actbs.com/g/abs485>



CEE Jamb Base Detail

<https://r.actbs.com/g/abs493>



Jamb to Rafter

<https://r.actbs.com/g/abs125>

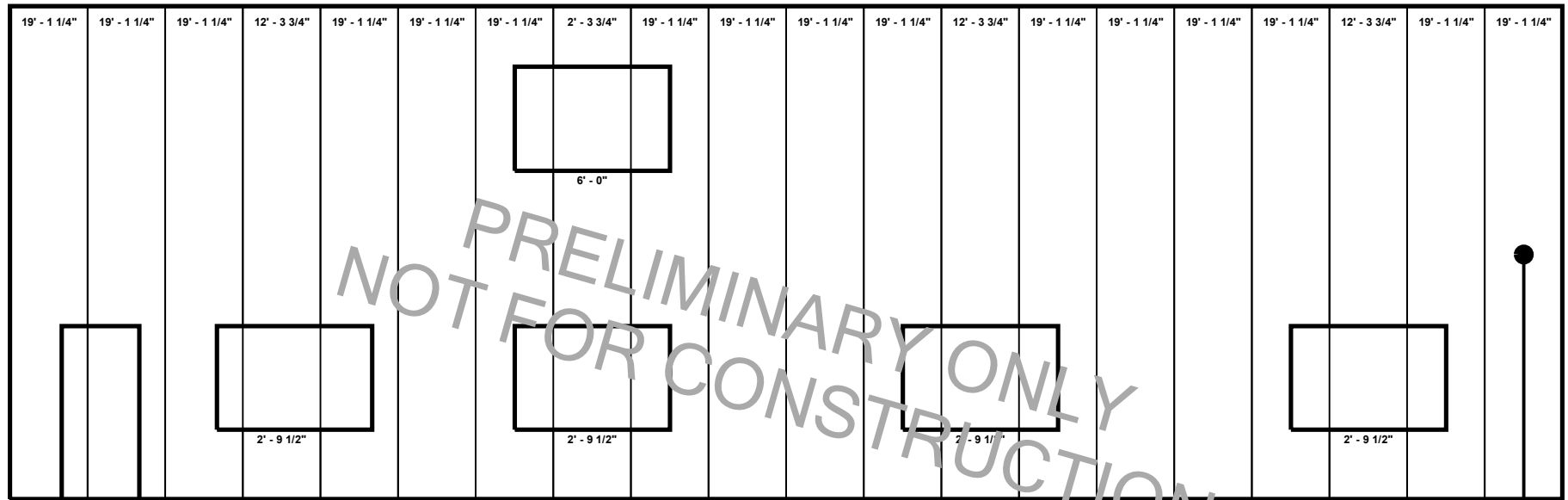
PRELIMINARY ONLY
NOT FOR CONSTRUCTION



Wall Details



This illustration is for reference only, and is to be used to supplement the engineering drawings. If any discrepancies occur, the engineering plans will always take precedence.



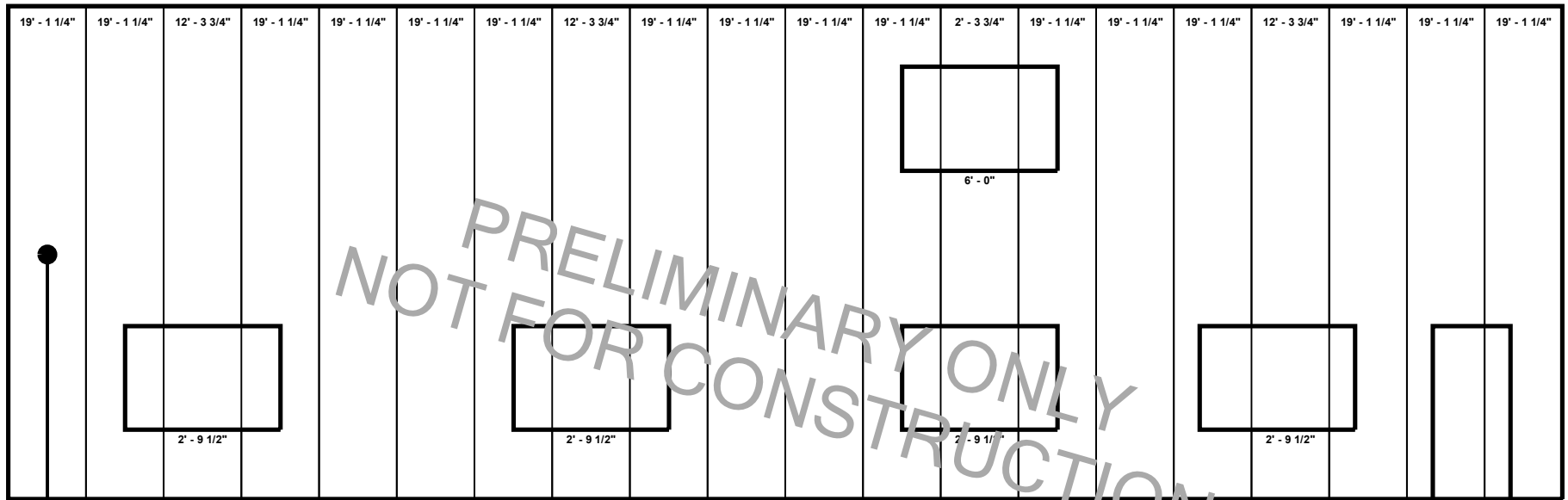
← Sheeting starts with this sheet and moves across the wall

This illustration is for reference only, and is to be used to supplement the engineering drawings. If any discrepancies occur, the engineering plans will always take precedence.



Sidewall A Sheeting Layout, Frame Line A





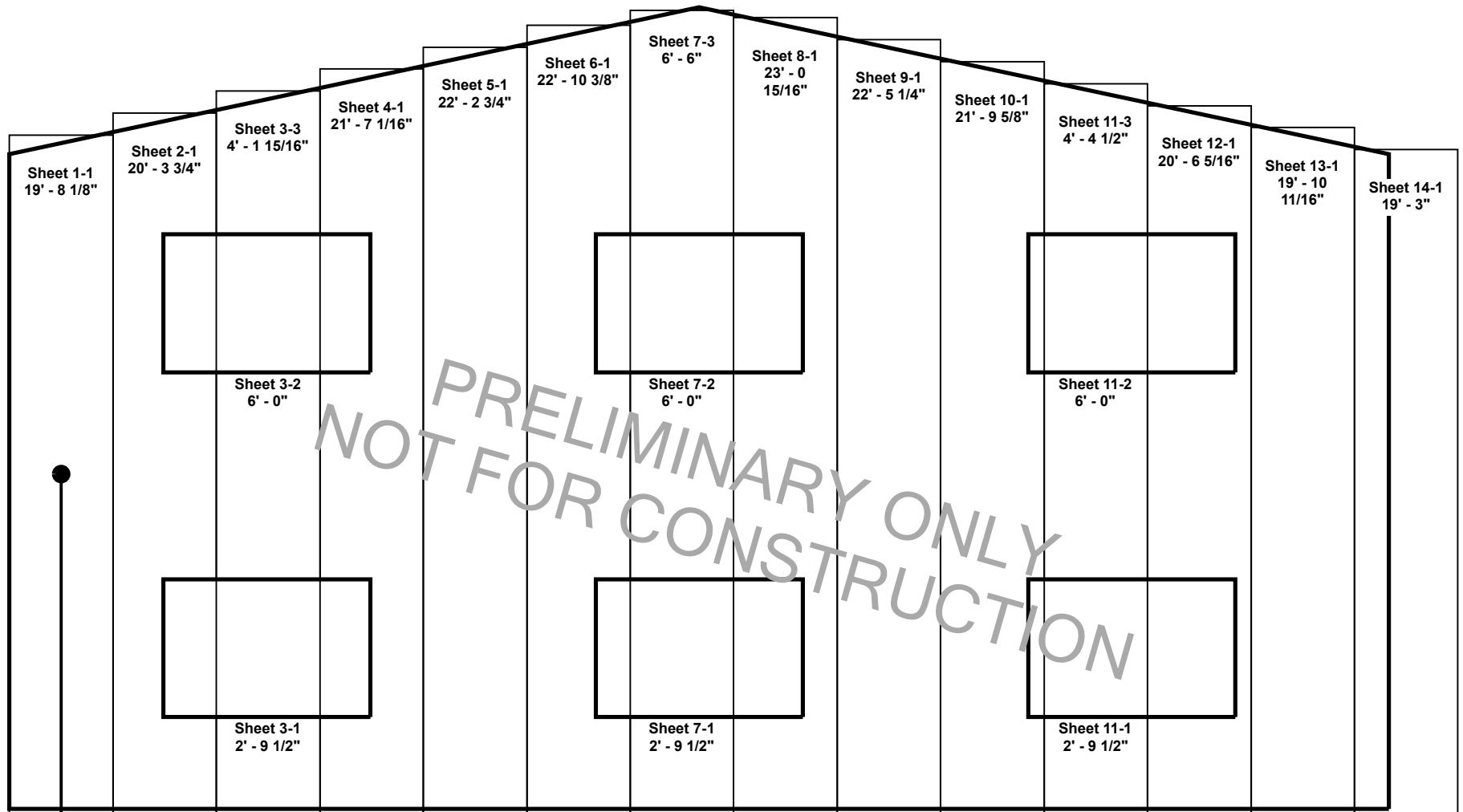
Sheeting starts with this sheet and moves across the wall

This illustration is for reference only, and is to be used to supplement the engineering drawings. If any discrepancies occur, the engineering plans will always take precedence.



Sidewall B Sheeting Layout, Frame Line F





PRELIMINARY ONLY
NOT FOR CONSTRUCTION

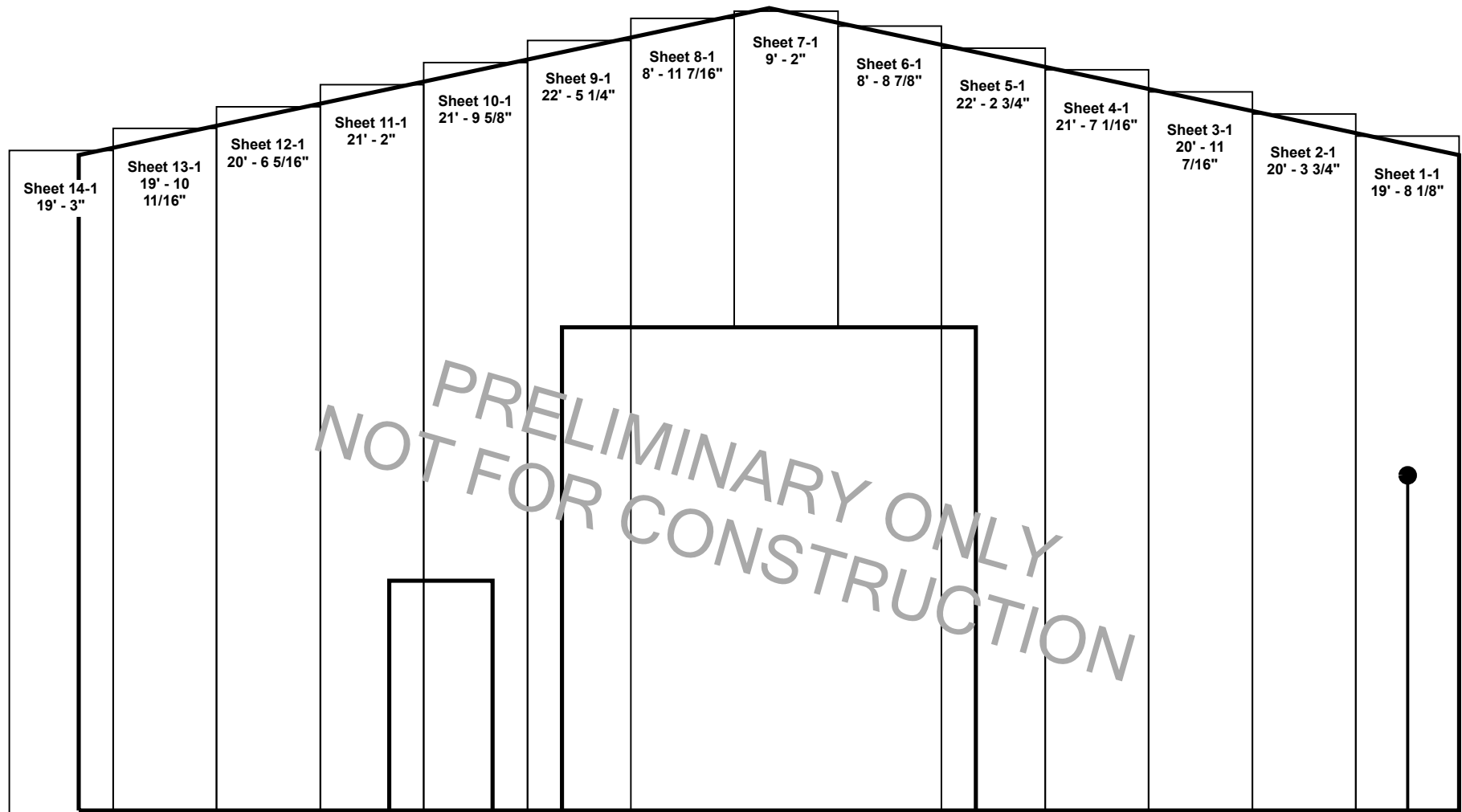
Sheeting starts with this sheet
and moves across the wall

This illustration is for reference only, and is to be used to supplement the engineering drawings. If any discrepancies occur, the engineering plans will always take precedence.



Endwall A Sheeting Layout, Frame Line 1





PRELIMINARY ONLY
NOT FOR CONSTRUCTION

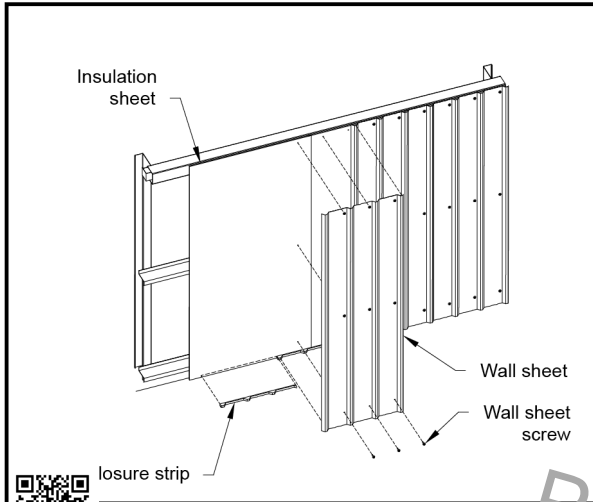
←
Sheeting starts with this sheet
and moves across the wall



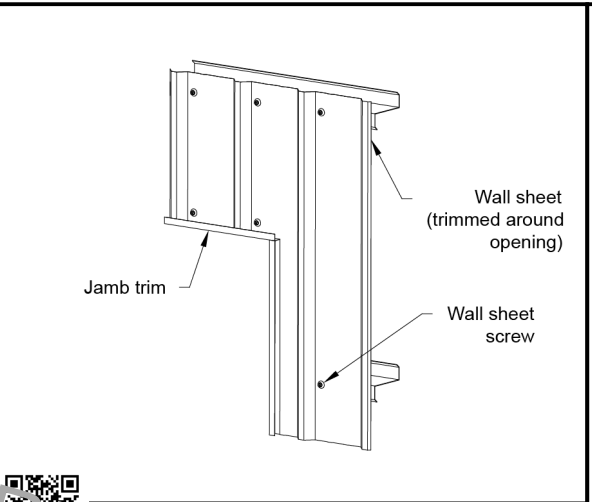
This illustration is for reference only, and is to be used to supplement the engineering drawings. If any discrepancies occur, the engineering plans will always take precedence.

Endwall B Sheeting Layout, Frame Line 5

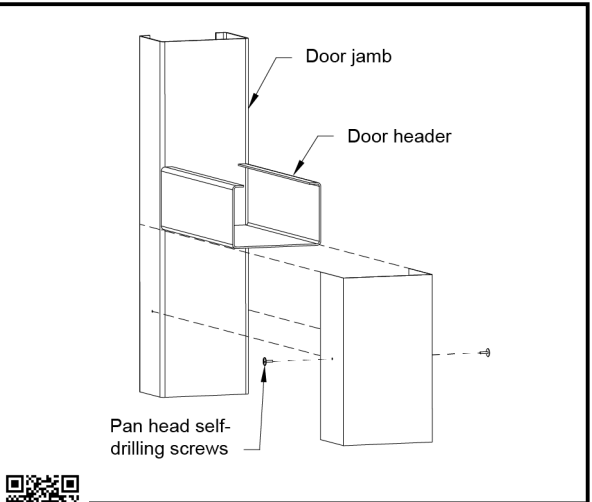




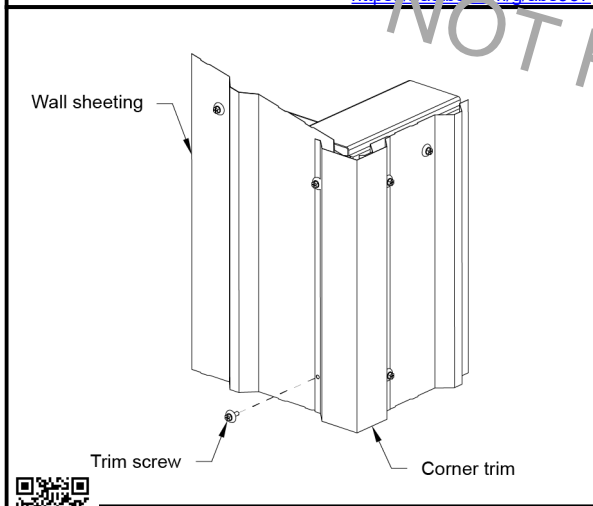
Wall Sheeting Overview
<https://r.actbs.com/g/abs537>



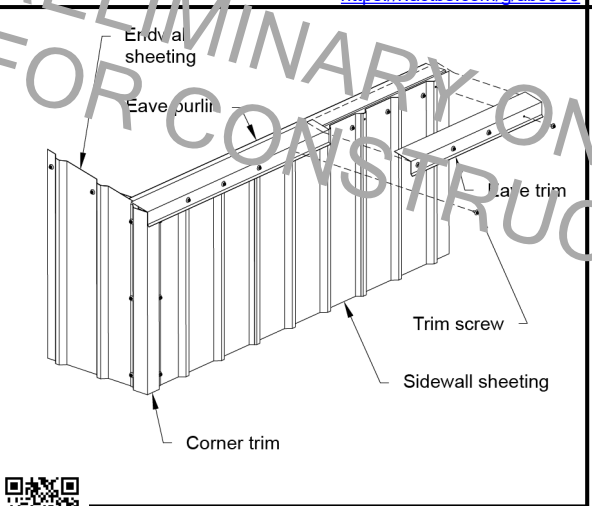
Wall Sheeting Openings
<https://r.actbs.com/g/abs533>



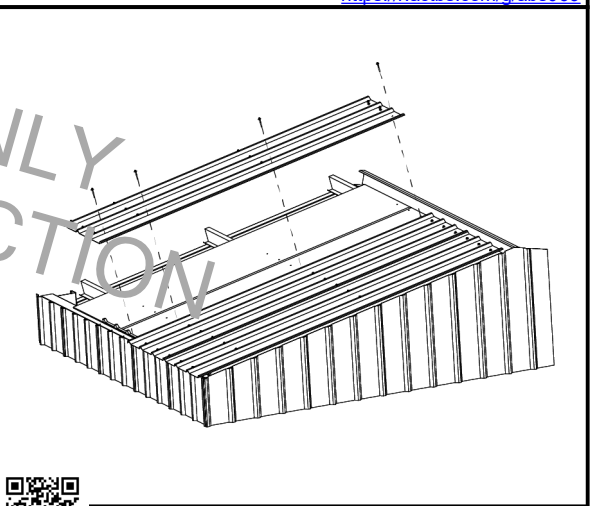
Door Jamb Cover
<https://r.actbs.com/g/abs069>



Corner Trim
<https://r.actbs.com/g/abs065>



Eave Trim
<https://r.actbs.com/g/abs117>



Roof Sheeting
<https://r.actbs.com/g/abs477>

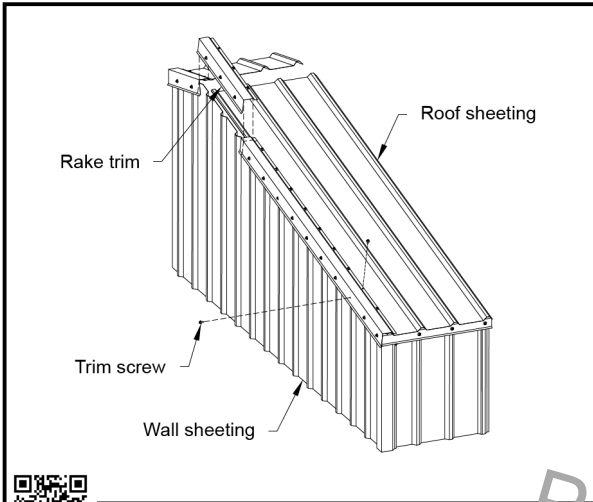
PRELIMINARY ONLY
NOT FOR CONSTRUCTION



This illustration is for reference only, and is to be used to supplement the engineering drawings. If any discrepancies occur, the engineering plans will always take precedence.

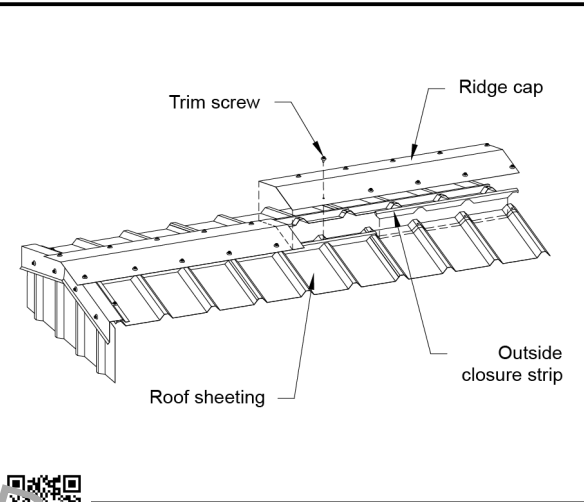
Sheeting & Trim Details





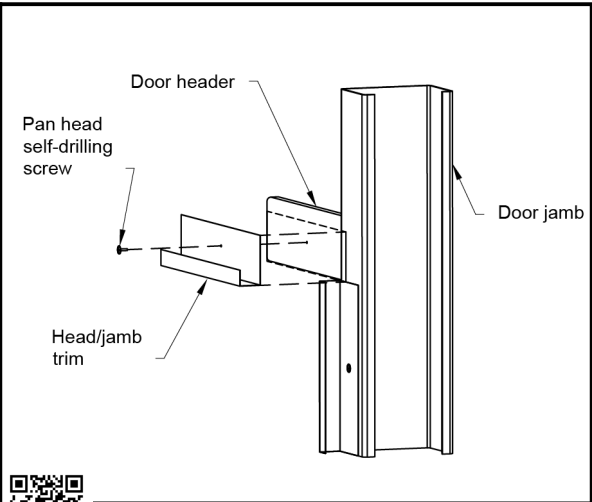
Rake Trim

<https://r.actbs.com/g/abs209>



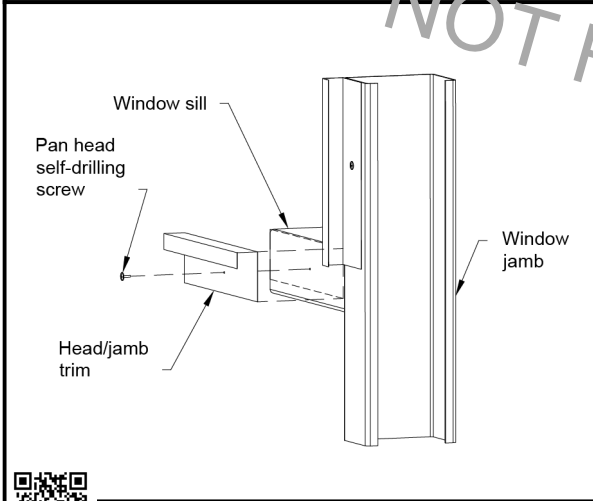
Ridge Cap

<https://r.actbs.com/g/abs469>



Jamb Trim Top

<https://r.actbs.com/g/abs277>



Jamb Trim Bottom

<https://r.actbs.com/g/abs273>

PRELIMINARY ONLY
NOT FOR CONSTRUCTION



This illustration is for reference only, and is to be used to supplement the engineering drawings. If any discrepancies occur, the engineering plans will always take precedence.

Sheeting & Trim Details

